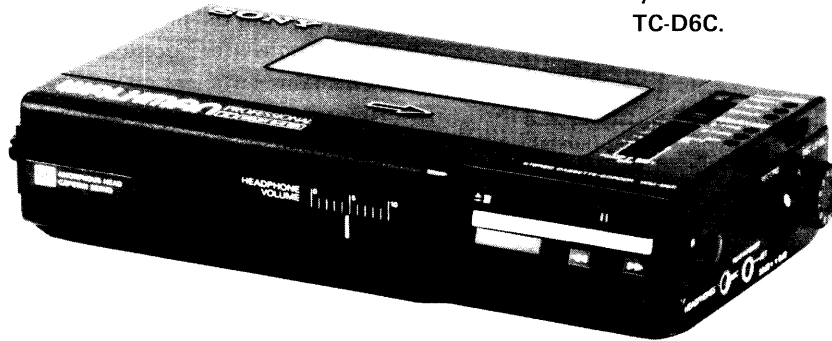


WM-D6C/TC-D6C

SERVICE MANUAL



- Refer to MDR-40L Service Manual issued previously for information of headphones supplied with WM-D6C.
- Refer to ECM-939LT Service Manual issued previously for information of headphones supplied with TC-D6C.

WM-D6C:
US Model
Canadian Model
AEP Model
UK Model
E Model

TC-D6C:
US Model

'Dolby' and the double-D symbol are the trade marks of Dolby Laboratories Licensing Corporation. Noise reduction system manufactured under license from Dolby Laboratories Licensing Corporation.

SPECIFICATIONS

Recording System: 4-track, 2-channel stereo

Wow and Flutter: $\pm 0.14\%$ (DIN)
 0.04% WRMS (NAB)

Tape Speed Deviation: $\pm 0.3\%$ (speed tuning OFF)

Speed Tuner Variations: Approx. $\pm 4\%$

Frequency Response: DOLBY NR OFF

- With TYPE IV cassette (Sony METALLIC)
 $40 - 15,000$ Hz ± 3 dB
- With TYPE II cassette (Sony UCX)
 $40 - 15,000$ Hz ± 3 dB
- With TYPE I cassette (Sony BHF or HFX)
 $40 - 15,000$ Hz ± 3 dB

S/N (NAB, at peak level):

DOLBY NR C

- TYPE IV cassette (Sony METALLIC) 71 dB
- TYPE II cassette (Sony UCX) 71 dB
- TYPE I cassette (Sony BHF or HFX) 67 dB

DOLBY NR B

- TYPE IV cassette (Sony METALLIC) 65 dB
- TYPE II cassette (Sony UCX) 65 dB
- TYPE I cassette (Sony BHF or HFX) 61 dB

DOLBY NR OFF

- TYPE IV cassette (Sony METALLIC) 58 dB
- TYPE II cassette (Sony UCX) 58 dB
- TYPE I cassette (Sony BHF or HFX) 54 dB

Total Harmonic Distortion: 0.9% with Sony METALLIC

Inputs: MIC (PLUG IN POWER) (stereo minijack) x 1
 0.25 mV (-70 dB) with low impedance microphone
 LINE IN (stereo minijack) x 1
 77.5 mV (-20 dB) (47 kilohms)

Tape Transport Mechanism Type	MT-D6C-20
--------------------------------------	-----------

Outputs: LINE OUT (stereo minijack) x 1
 output level 0.25 V (-10 dB) (less than 4.7 kilohms)
 Headphones (stereo minijack) x 1
 load impedance 8 - 300 ohms

Power Output: Headphones
 30 mW + 30 mW (at 10% harmonic distortion)
 load impedance 32 ohms

Battery Life: See page 2.

Power Requirements: 6 V dc, four batteries, IEC designation R6 (size AA)
 BP-23 battery pack (optional)
 External power input jack (required power 6 V dc) accepts Sony ac power adaptor (optional) listed on page 2 for use on appropriate ac power, or Sony DCC-127A car battery cord (optional) for use on 12 V car battery

Dimensions: $181 \times 40 \times 95$ mm (w/h/d)
 $(7\frac{1}{4} \times 1\frac{5}{8} \times 3\frac{3}{4})$ inches
 including projecting parts

Weight: Approx. 640 g (1 lb 7 oz) including batteries

0 dB = 0.775 V



STEREO CASSETTE-CORDER
SONY®

TC

Battery life

type of cassette batteries	continuous recording		continuous playback
	TYPE IV (Sony METALLIC)	TYPE I (Sony BHF, HFX)	TYPE I, IV (Sony BHF, HFX, METALLIC)
Sony Eveready AM3 alkaline batteries	4	5	6
Sony SUM-3(NS) New Super batteries	2	2.5	3

(hours)

OTHER POWER SOURCES

HOUSE CURRENT

Use the appropriate ac power adaptor listed below, available in the countries where the set is used.

First connect the adaptor to DC IN 6 V jack, and then to a wall outlet.

Before connecting, be sure to read the instruction manual for the adaptor.

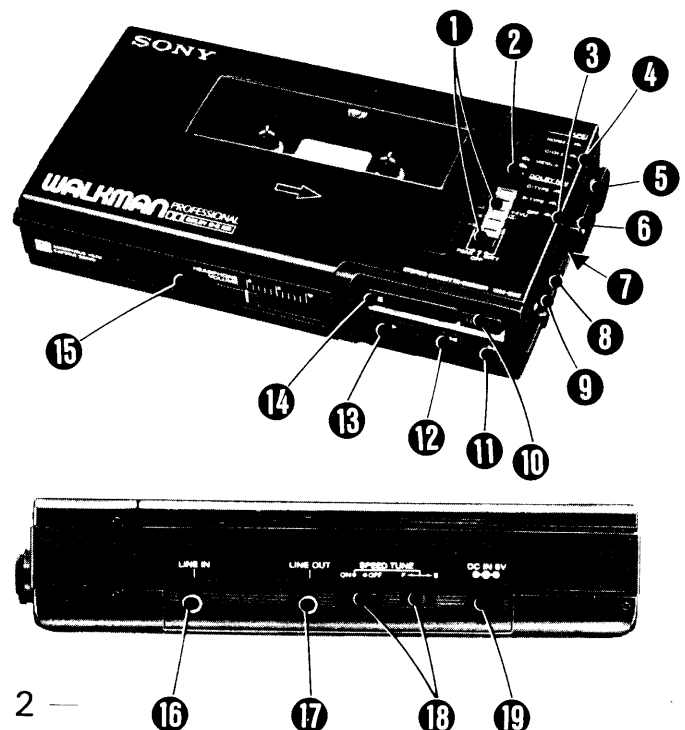
location	ac power adaptor	input voltage of adaptor
AEP	AC-66	220 V ac, 50 Hz
	AC-456C	110 or 220 V ac adjustable, 50 Hz
UK	AC-15A	240 V ac, 50 Hz
Canadian	AC-9	120 V ac, 60 Hz
E	AC-4A	110, 120, 220 or 240 V ac adjustable, 50/60 Hz
US	AC-9W	120 V ac, 60 Hz

FEATURES

- **Quartz lock capstan servo system** assures accurate and stable tape speed.
- In addition to the conventional B-type Dolby* NR system, the WM-D6C or TC-D6C employs the **C-type Dolby NR system** which reduces tape noise twice as effectively as the B-type system.
- **Speed control** adjusts the tape speed accurately (approx. $\pm 4\%$) in the playback mode.
- **DC-DC converter** boosts the low voltage of DC 6V and maintains sufficient power.
- **Amorphous head** for recording/playback provides a wider dynamic range and a more extended frequency response.
- **Tape selector** for optimum recording with standard tapes as well as high-performance tapes.
- **Microphone attenuator** eliminates the distortion which may be caused by high-level input signal.
- **MIC (PLUG IN POWER) jack** can supply power to an ECM-102 electret condenser stereo microphone (optional).
- **Four different power sources:** batteries, house current, rechargeable battery pack, and 12V car battery.
- **5-LED peak/battery indicator** shows both the peak level and the battery strength.
- **Stereo minijacks** can be used for connecting to audio components.

PARTS IDENTIFICATION

- 1 Peak/battery indicator and indication selector
- 2 Tape counter and reset button
- 3 DOLBY NR selector
- 4 TAPE selector
- 5 REC LEVEL (recording level) control
- 6 ● RECORD button
- 7 MIC ATT (microphone attenuator) switch
- 8 MIC (PLUG IN POWER) jack (stereo minijack)
- 9 HEADPHONES jack
- 10 ■ (pause) button
- 11 ►► (fast forward) CUE button
- 12 ◄◄ (rewind) REVIEW button
- 13 ► PLAY (playback) button
- 14 ▲■ (eject/stop) button
- 15 HEADPHONE VOLUME control
- 16 LINE IN jack
- 17 LINE OUT jack
- 18 SPEED TUNE selector and control
- 19 DC IN 6 V jack

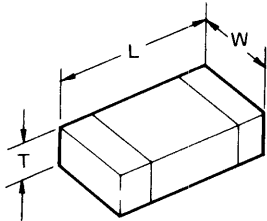


Chip components

Chip components include resistors, capacitors, transistors, diodes, coil and adjustable resistors.

In this section, the types of resistors, ceramic capacitors, transistors and diodes which are used most frequently will be described.

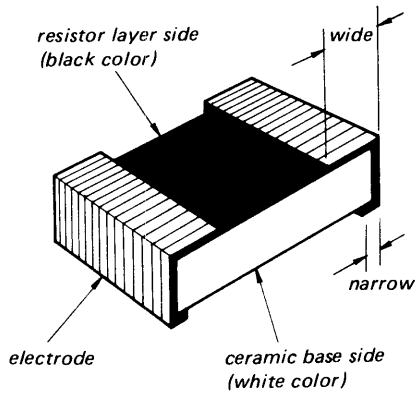
Dimension of transistors and capacitors



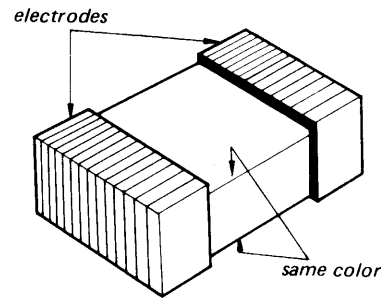
(Unit: mm)

Type	L	W	T
3216	3.2	1.6	0.45 ~ 0.6
2125	2.0	1.25	0.35 ~ 0.5

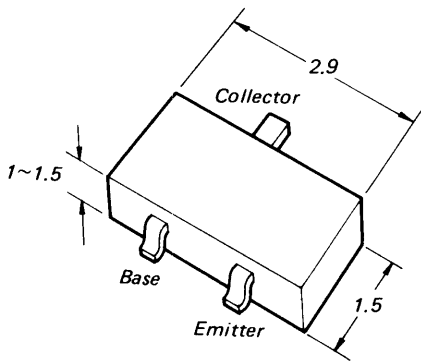
Identification



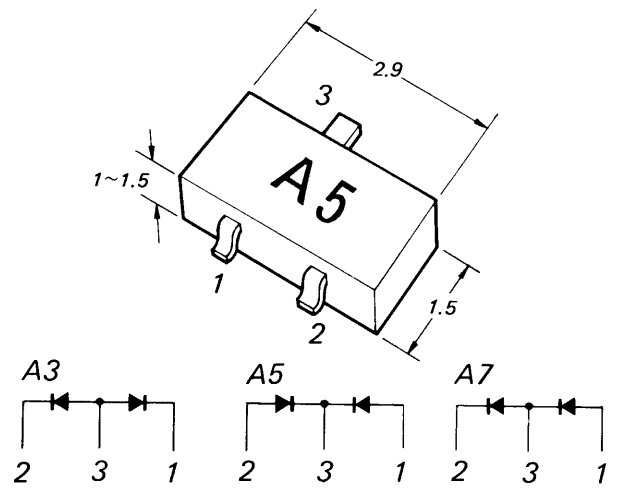
Resistor



Laminated Ceramic Capacitor



Transistor



Diode

Replacing chip components

All chip components should be connected and disconnected, using a tapered soldering iron [temperature of the iron tip: less than 280°C (536°F)], a pair of tweezers and braided wire.

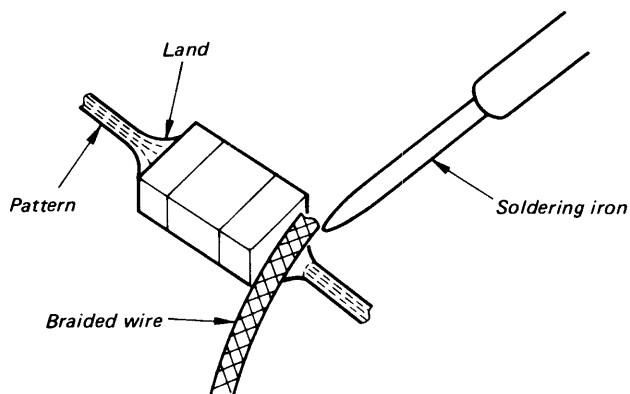
Precautions for replacement

1. Do not disconnect the chip component forcefully. Otherwise, the pattern may peel off.
2. Never re-use a disconnected chip component. Dispose of all old chip components.
3. To protect the chip component, heating time for attaching the component should be within 3 seconds.

○ Removing chip components

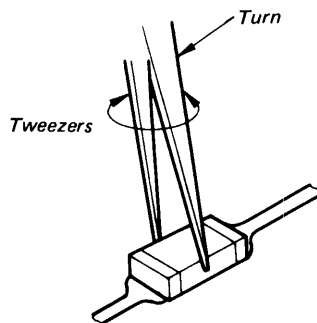
(1) Removing solder at electrode

Remove the solder at the electrode, using a thin braided wire. Do not remove the solder of the part (chip component) attached adjacent to the electrode.



(2) Disconnecting chip components

Turn the tweezers with the soldering iron alternately applied to both electrodes, and the chip component will be disconnected. Take careful precautions while disconnecting, because if the chip component is forcefully removed the land may peel off. Never re-use a disconnected chip component.



(3) Smoothing the soldered surface

After disconnecting the chip component, remove the solder by using a braided wire to smooth the land surface.

○ Connecting chip components

The value of chip components is not displayed on the main body. Take due precautions to avoid mixing new chip components with other ones.

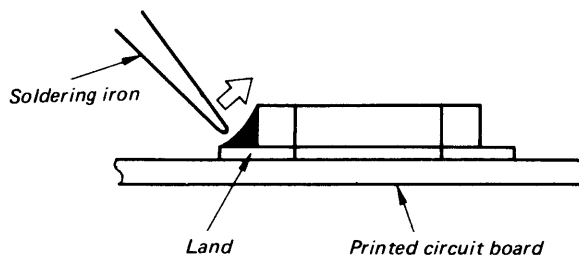
(1) Applying solder to land on one side

Apply a thin layer of solder to the land on one side where the chip component is to be connected. Too much solder may cause bridging.



(2) Speedy soldering

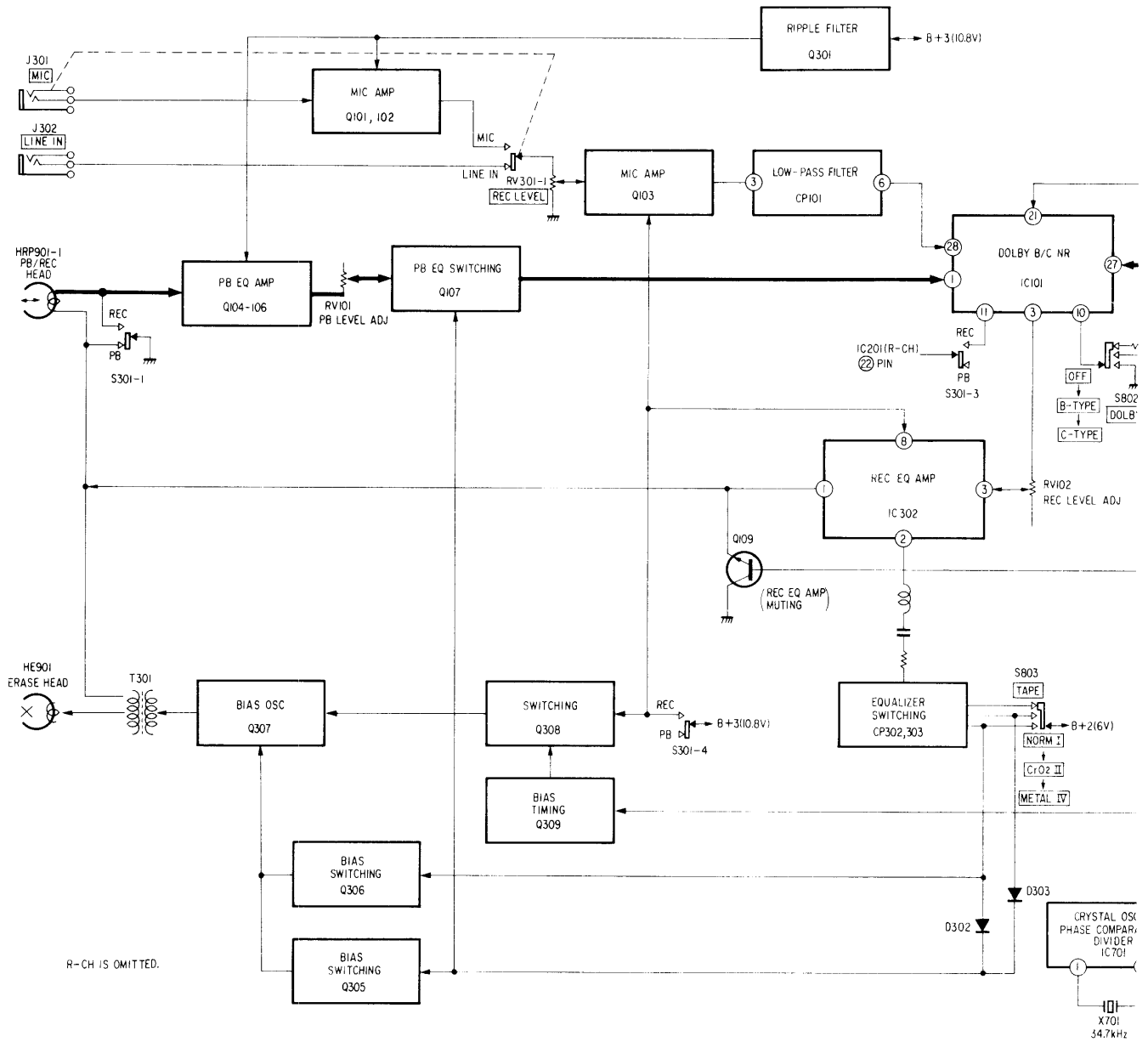
Hold the chip component at the desired position, using tweezers, and apply the soldering iron in the arrow-marked direction. To protect the chip component, heating time should be within 3 seconds.



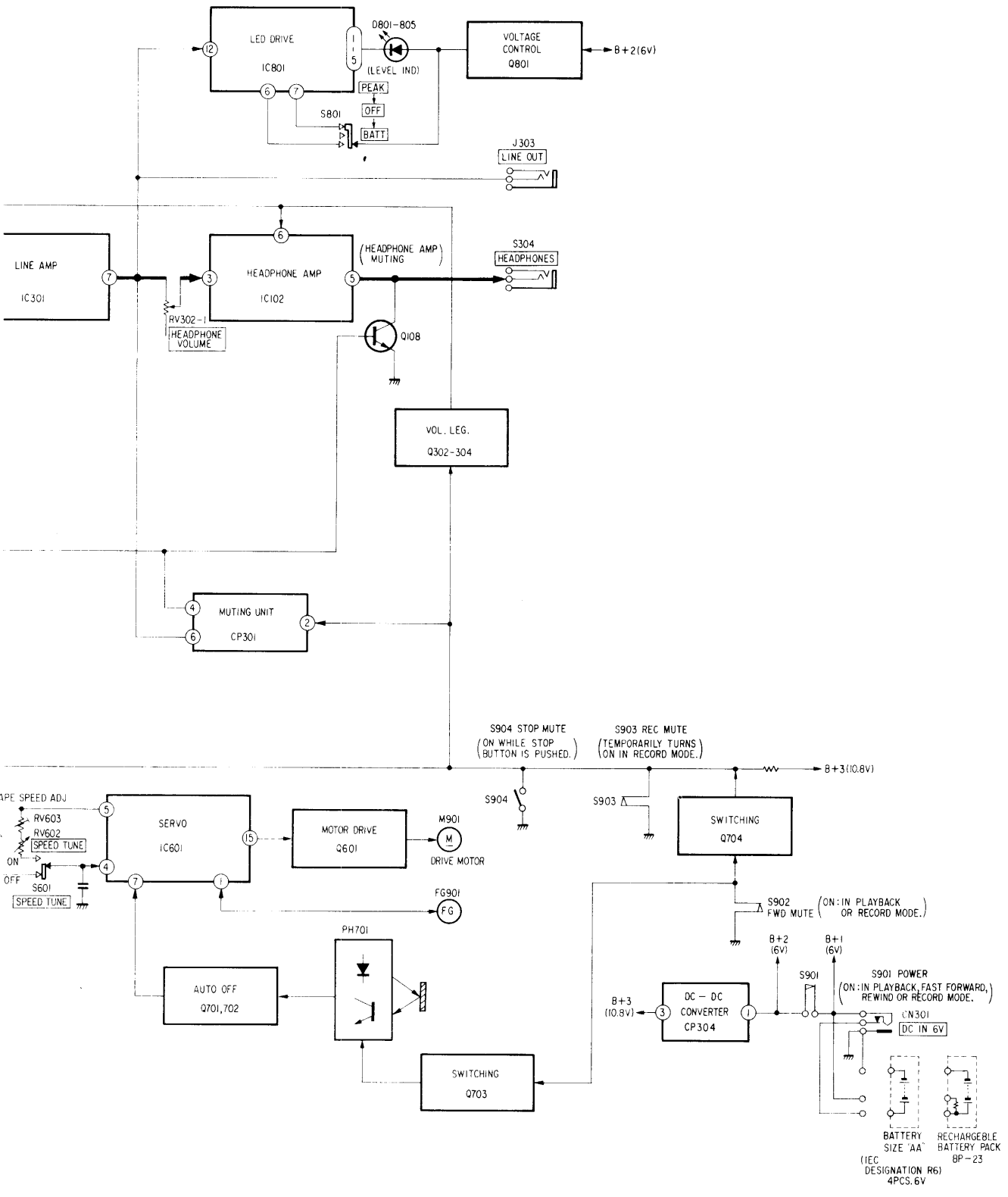
(3) Speedy soldering of electrode on the other side

Solder the electrode on the other side in the same way as in (2) above.

SECTION 1
BLOCK DIAGRAM

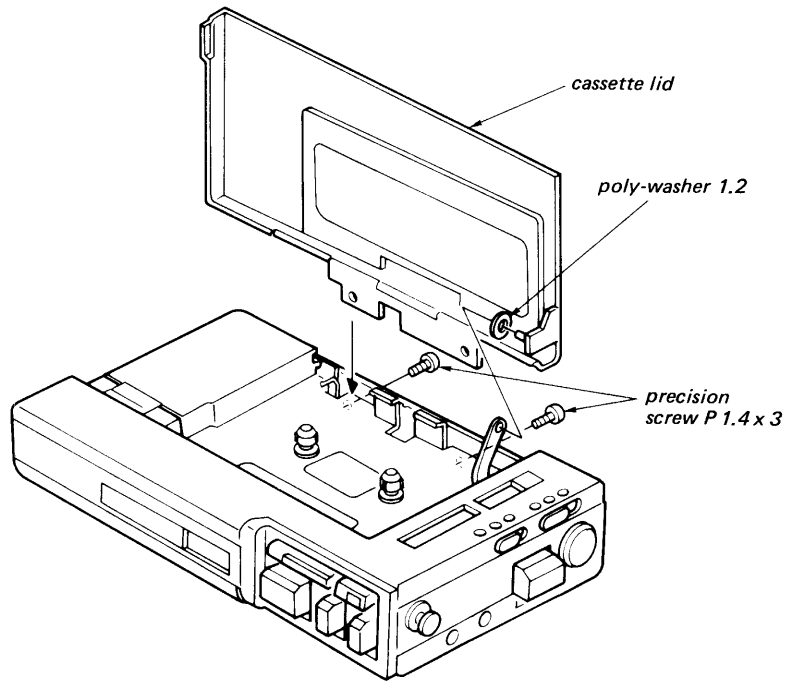


WM-D6C/TC-D6C

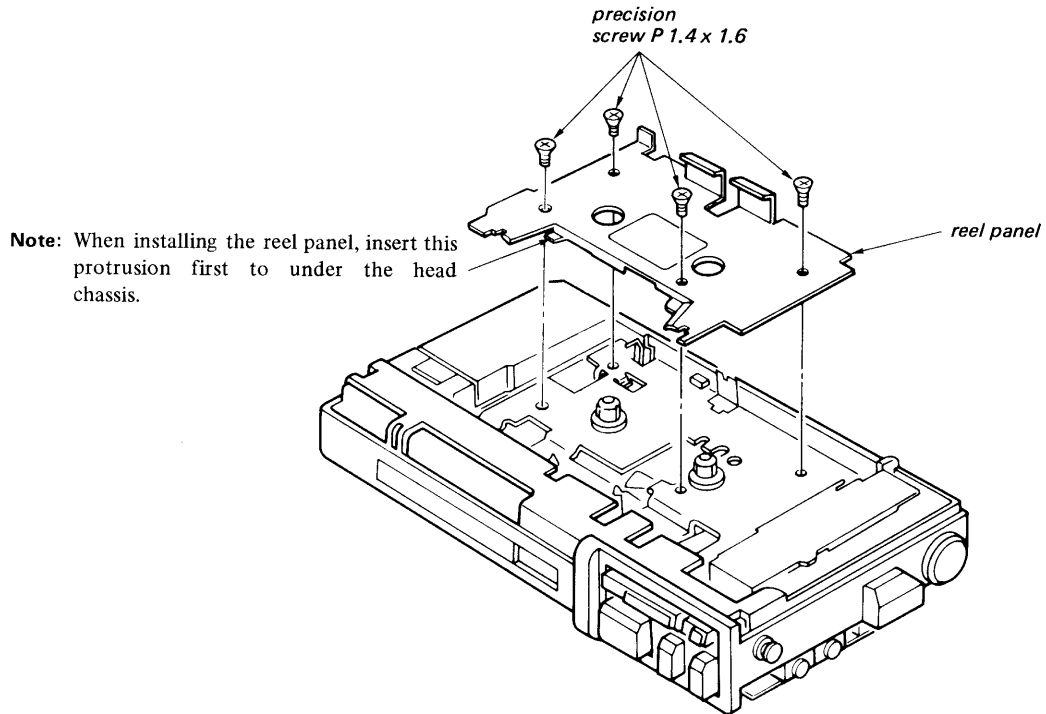


SECTION 2
DISASSEMBLY

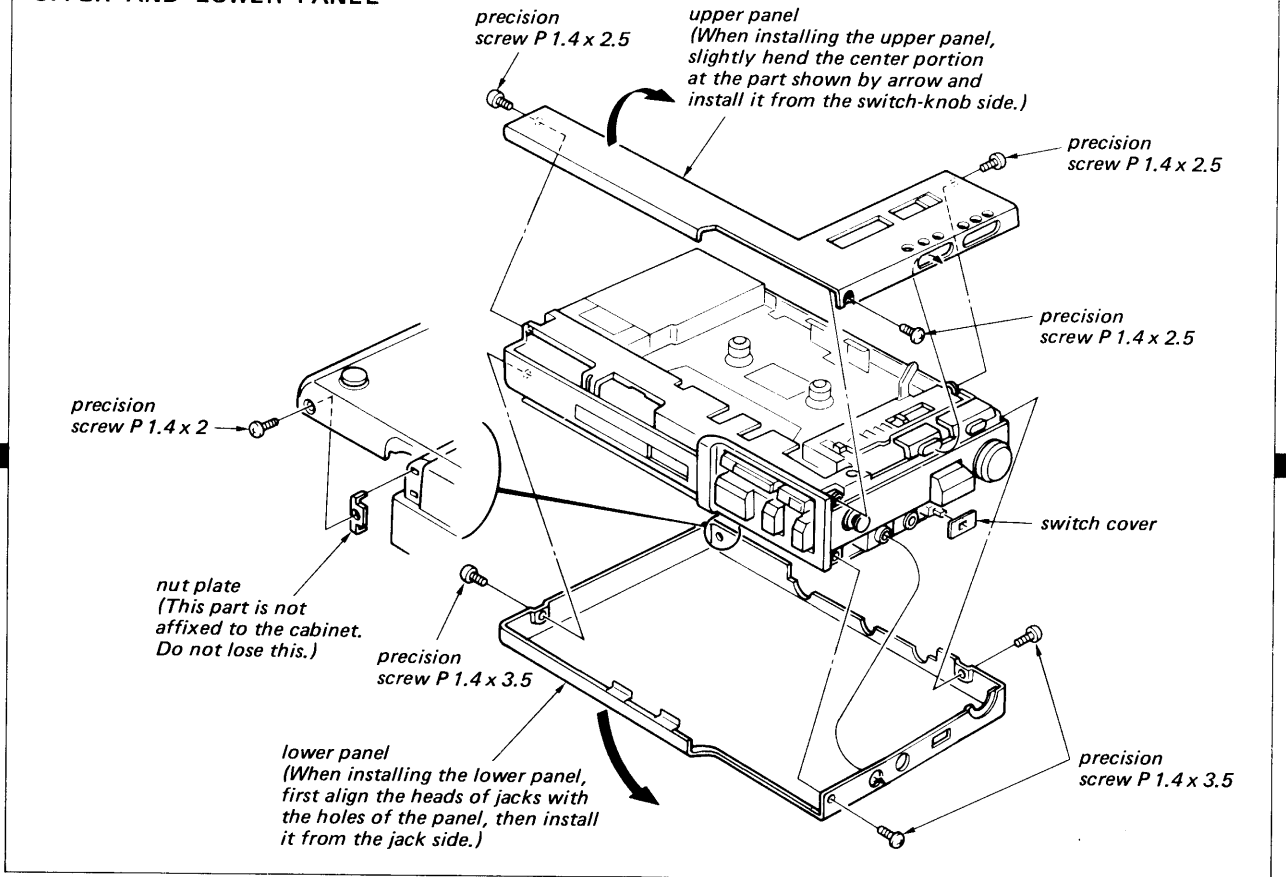
CASSETTE LID



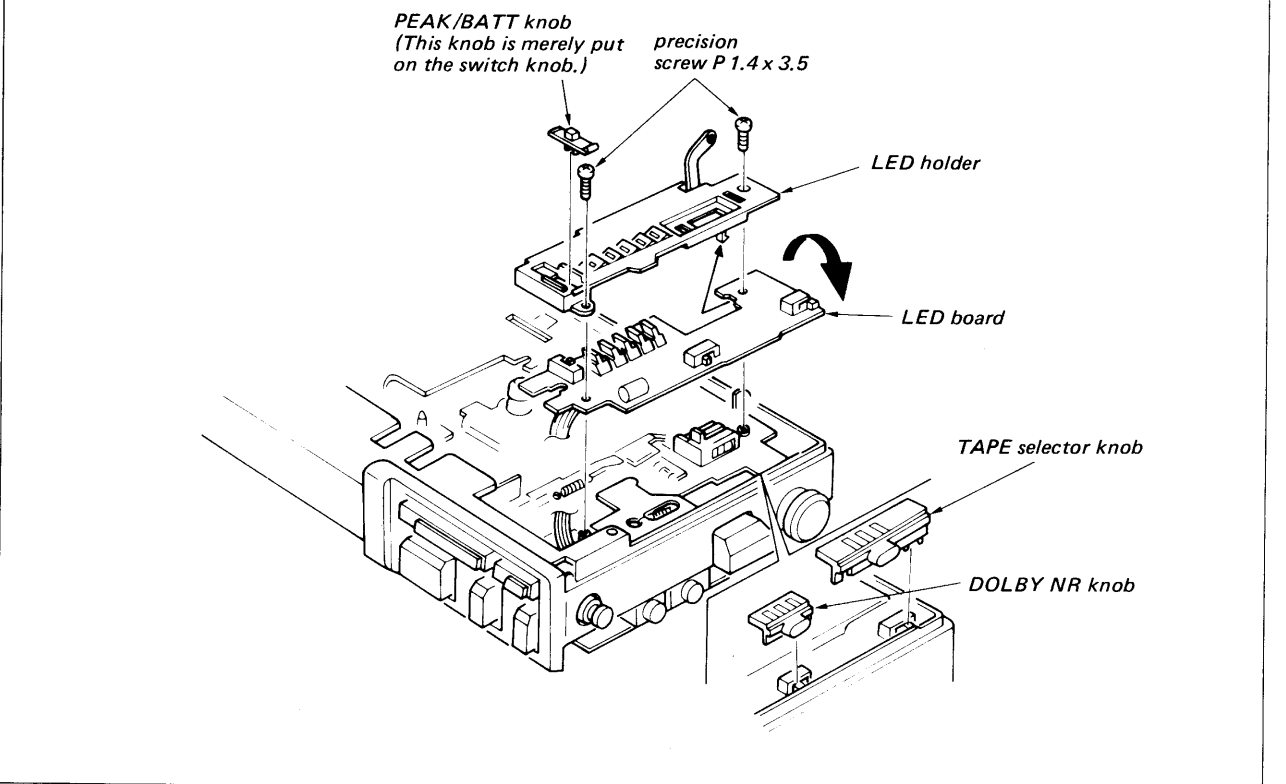
REEL PANEL



UPPER AND LOWER PANEL

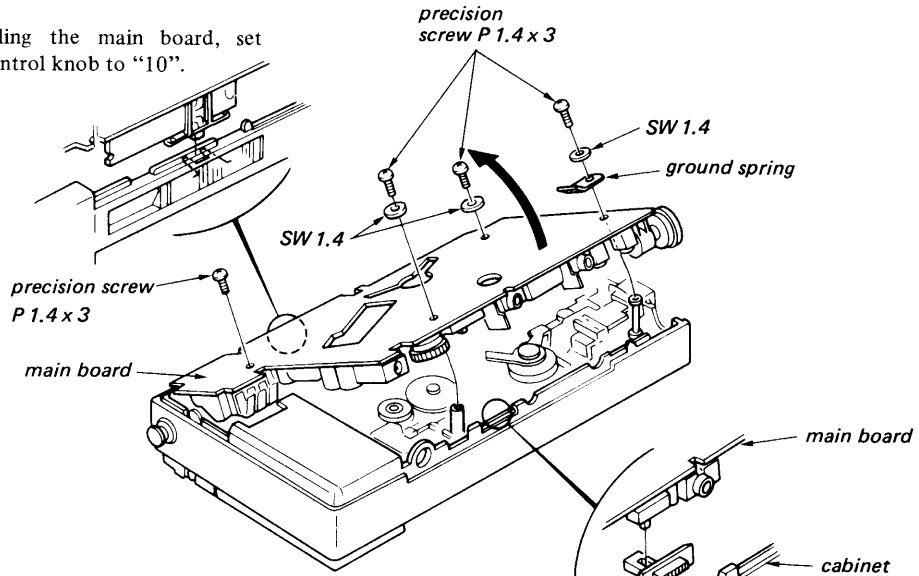


LED HOLDER AND LED BOARD



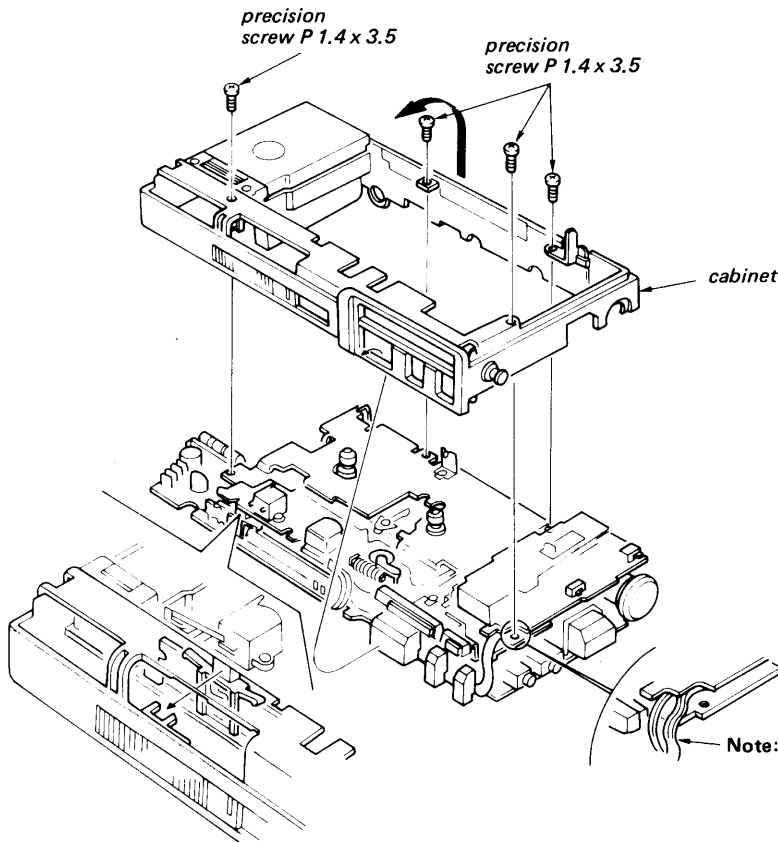
MAIN BOARD

Note: When installing the main board, set VOLUME control knob to "10".



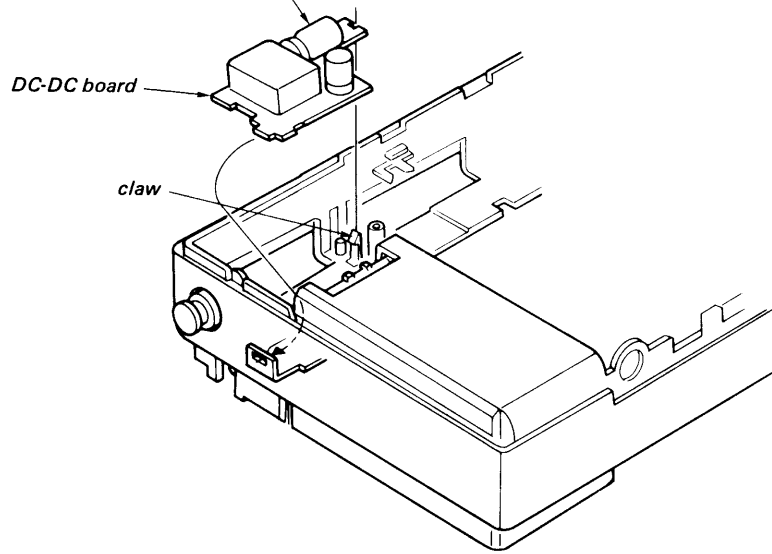
Note: When installing the main board, slightly open the main board and preparatory install SPEED TUNE knob on the slide switch knob, then completely install the main board to the cabinet with groove of SPEED TUNE knob properly set on the edge of the cabinet. And check that the knob smoothly moves and the switch securely operates.

CABINET

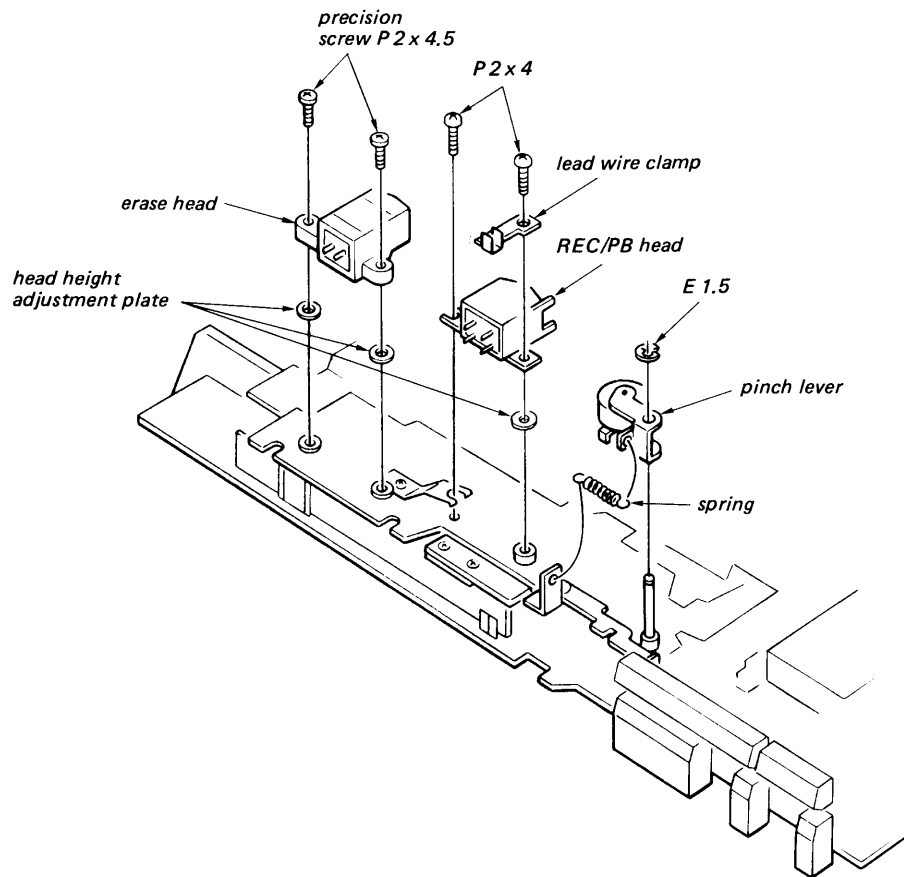


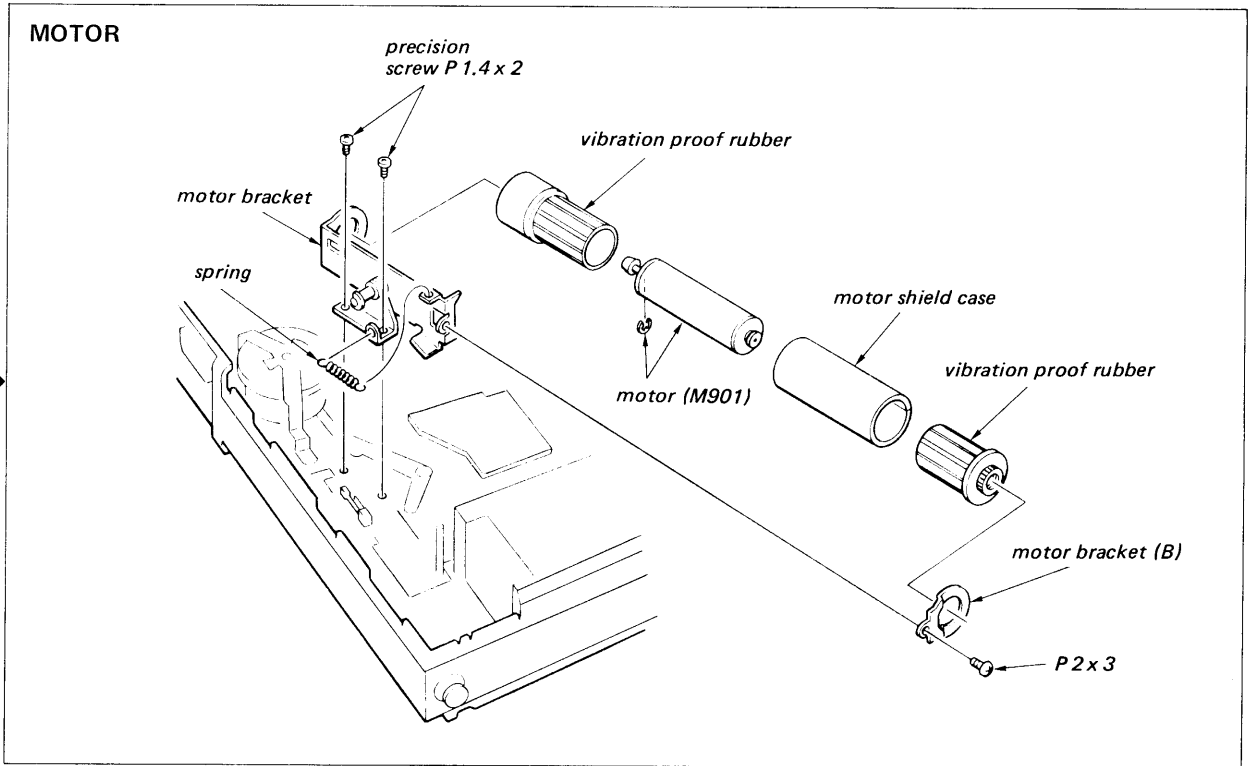
DC-DC BOARD

Note: When C316 is replaced, bend its lead diagonally and lay it on the DC-DC board not to touch components on the main board.



REC/PB, ERASE HEAD AND PINCH LEVER





GENERAL NOTES ON SERVICING

Secure the lead wires and shielded wires to the main board with sections of adhesive tapes as shown below, otherwise proper operation of the unit may be degraded.



**SECTION 3
ADJUSTMENTS**

3-1. MECHANICAL ADJUSTMENTS AND MEASUREMENTS

PRECAUTION

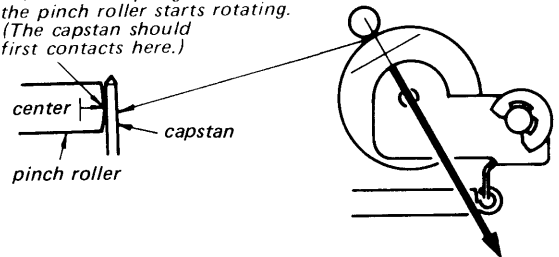
1. Clean the following parts with a denatured-alcohol-moistened swab:

record/playback head	pinch roller
erase head	rubber belts
capstan	idlers
2. Demagnetize the record/playback and erase head with a head demagnetizer.
3. Do not use a magnetized screwdriver for the adjustments.
4. After the adjustments, apply suitable locking compound to the parts adjusted.
5. The adjustments should be performed with the rated power supply voltage unless otherwise noted.

Pinch Roller Pressure Measurement

— Playback Mode —

② Slowly return the pinch roller and read the spring scale just when the pinch roller starts rotating. (The capstan should first contacts here.)

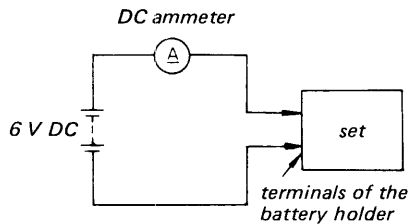


① spring scale

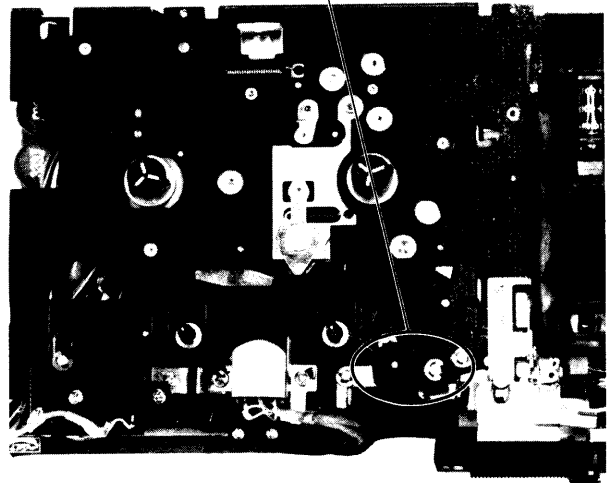
200 – 280 g
(7.05 – 9.88 oz)

Flywheel Thrust Play Adjustment

— Playback Mode —

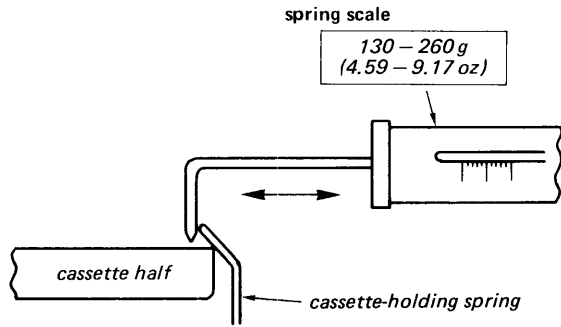


1. Turn the thrust screw counterclockwise until the screw tip leaves from the flywheel shaft.
2. Gradually turn the thrust screw clockwise to the position where the motor current suddenly increases.
3. Then, turn the thrust screw counterclockwise about ¼ turn from the position obtained in step 2.



Cassette-holding Spring Adjustment

1. Pull the spring scale outward until the cassette-holding spring releases from the cassette half.
2. Slowly return the spring scale back to the cassette half until the spring just touches the edge of the cassette half. Read the spring scale at this instant.
3. Adjust the spring by bending back and forth to satisfy the spring scale value.



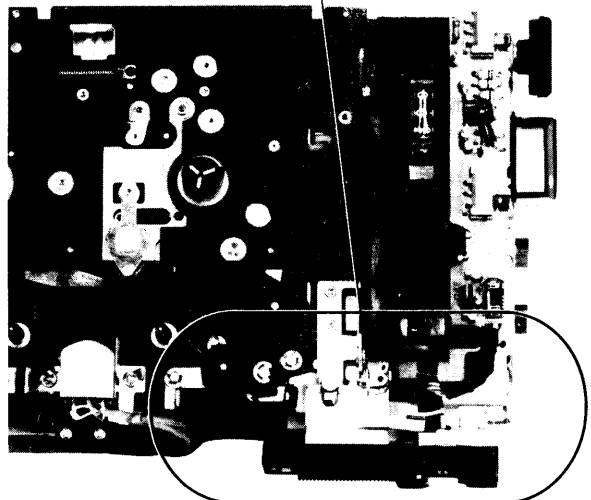
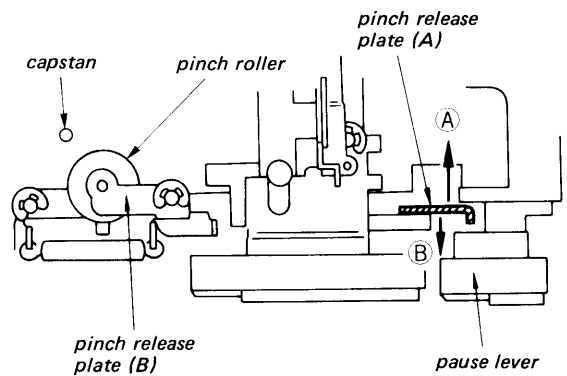
Pause Action Adjustment

1. Insert a cassette tape and put into playback mode.
2. At this time, confirm that the pinch release plate (A) does not touch on the pinch release plate (B) and the pause lever.
3. Check for the lock timing when the pause button is pushed in playback mode.

Lock timing: The tape is stopped without placing in cue mode and is not reversed after the pinch roller is detached from the capstan.

4. When pushing the pause button again to restart the set, make sure that the pinch roller is contact with the capstan after the unit begins to take the tape up without placing in cue mode. Make sure that the take-up reel table does not rotate after the pinch roller is contact with the capstan.

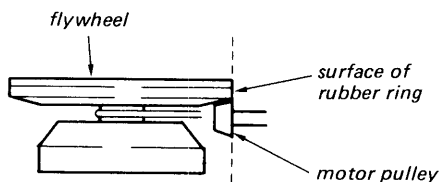
When putting the pause button ON or OFF.	Adjustment of the pinch release plate (A)
In case of CUE mode.	Bend to (A) side.
In case of reversing.	Bend to (B) side.



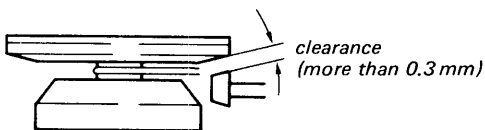
Motor Pressure Measurement

— Playback Mode —

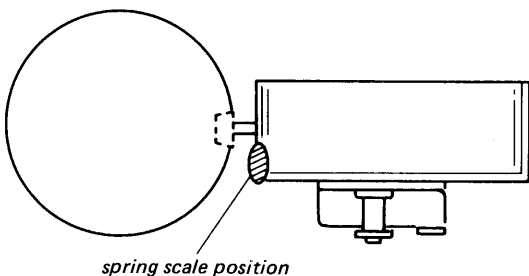
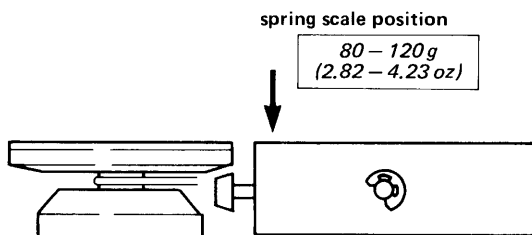
1. The motor pulley's inner edge (large side) should not extend from the edge of the flywheel's rubber ring.



2. When the mode is changed from playback by slowly pressing the stop button, the motor pulley and rubber surface of the flywheel should have clearance.



3. In playback mode, put a spring scale vertically on the edge of the motor bracket as shown below, push the spring scale down vertically until the motor pulley just detaches from the flywheel's rubber ring and read the spring scale at this instance.

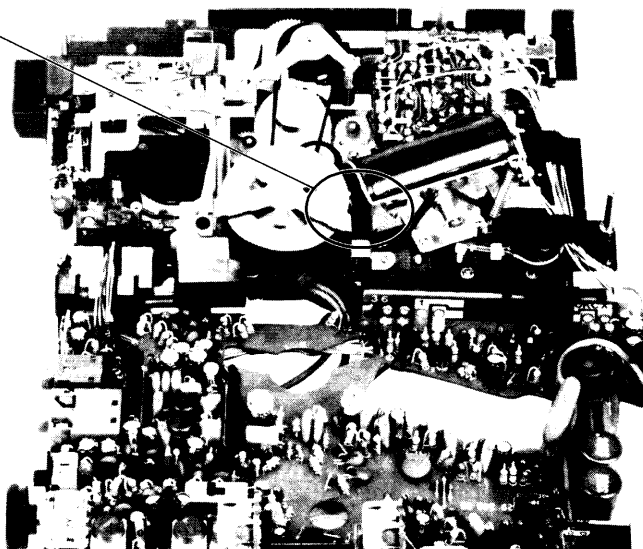
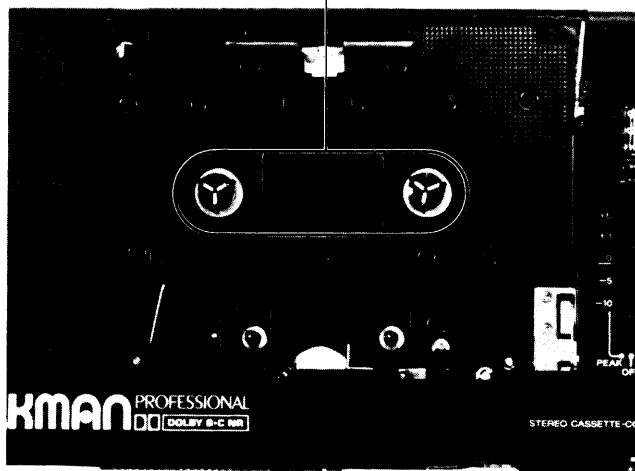


Torque Measurement

Torque	Torque Meter	Meter Reading
FWD	CQ-102C	25 - 43 g·cm (0.35 - 0.6 oz·inch)
Back Tension		1.5 - 3.5 g·cm (0.02 - 0.05 oz·inch)
FF·REW	CQ-201B	more than 75 g·cm (more than 1.04 oz·inch)

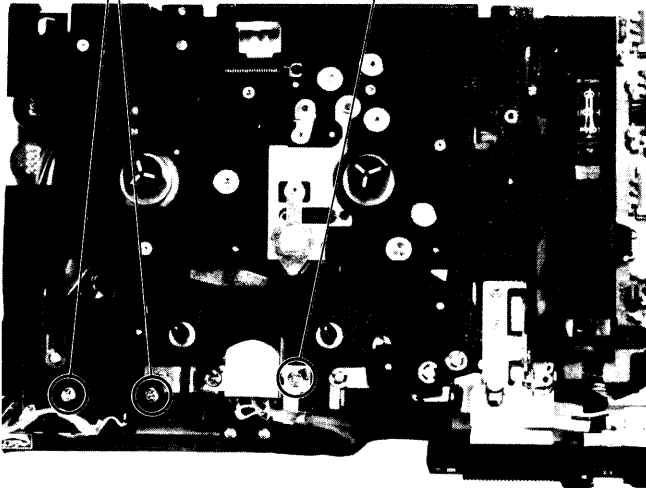
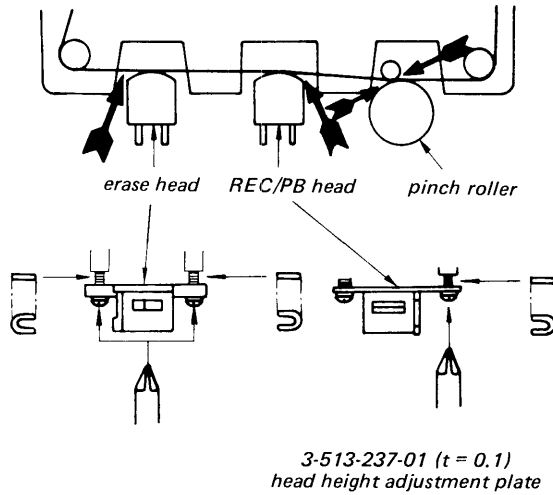
Tape Tension Measurement

Tension Meter	Meter Reading
CQ-403A	more than 65 g (more than 2.29 oz)



Tape Path Adjustment

1. Insert a mirror cassette (CQ-009C).
2. In playback mode and viewing from the front, confirm that there is no tape curl and tape twist at portions shown by arrow.
3. If there is tape curl and tape twist, adjust the head heights by using the adjustment plate.
(Specifically no tape curls should exist at the lower sides of the tape guides.)



3-2. ELECTRICAL ADJUSTMENTS

Note: The adjustment should be performed in the order given in this service manual. The adjustments should be performed for both L-CH and R-CH.

- Set the TAPE switches according to the tape as follows.

Tape	TAPE switch
CS-15	NORM
CS-26	CrO ₂
CS-40	METAL

- Switches and controls should be set as follows unless otherwise specified.

DOLBY NR switch OFF
 TAPE switch NORM
 MIC ATT switch 0 dB
 PEAK/BATT switch PEAK
 SPEED TUNE switch OFF
 SPEED TUNE control center

- Standard Record:

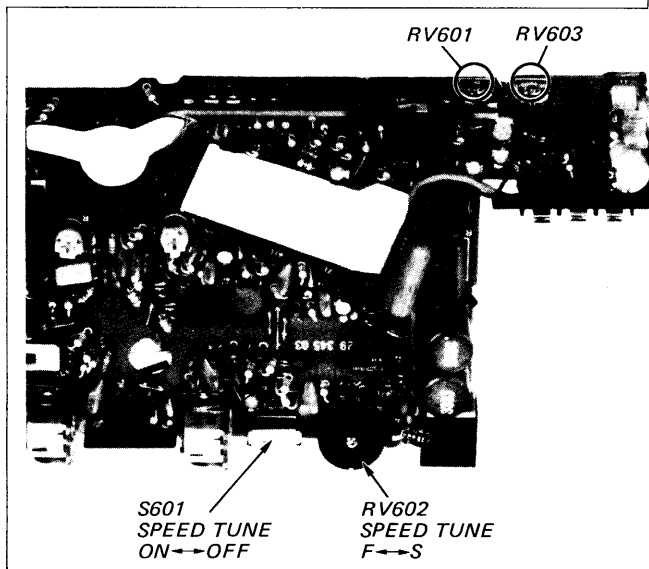
Deliver the standard input signal level to the input jack and set the REC LEVEL control to obtain the standard output signal level.

Standard Input Level

	MIC	LINE IN
source impedance	300Ω	10kΩ
input level	0.77mV (-60dB)	0.25V (-10dB)

Standard Output Level

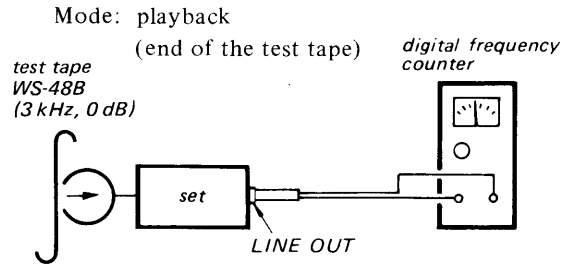
	LINE OUT	HEAD-PHONES
load impedance	47kΩ	32Ω
output level	0.254V (-9.8dB)	0.25V (-10dB)



Tape Speed Adjustment

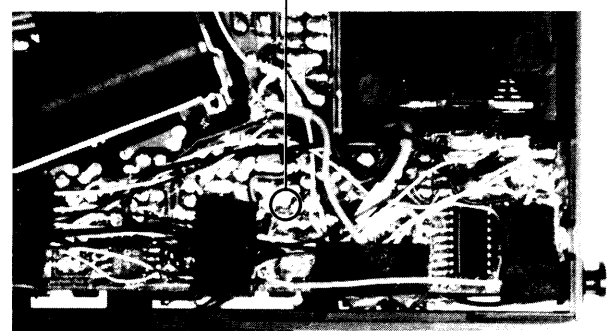
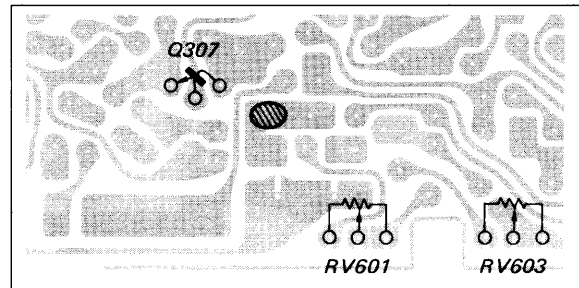
Note: Perform this adjustment after the Record/playback Head Azimuth Adjustment.

Procedure:



1. Set SPEED TUNE switch to OFF.
2. Unsolder the solder bridge and open the bridged patterns shown below.
3. Turn RV601 so that frequency reading becomes in 3,090 Hz ± 10 Hz.
4. Resolder the adjustment patterns opened in step 2 above. Now frequency reading should be 3,000 Hz ± 9 Hz.
5. Set SPEED TUNE switch to ON, and SPEED TUNE control to its center position.
6. Turn RV603 so that frequency reading becomes in 3,000 Hz ± 10 Hz.
7. Set SPEED TUNE control to maximum position in "S" direction. Now frequency reading should be below 2,884 Hz.
8. Set SPEED TUNE control to maximum stop in "F" direction. Now the frequency should be above 3,120 Hz.
9. Set SPEED TUNE control back to center position.

Adjustment Location: - main board -

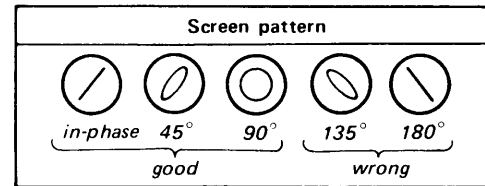
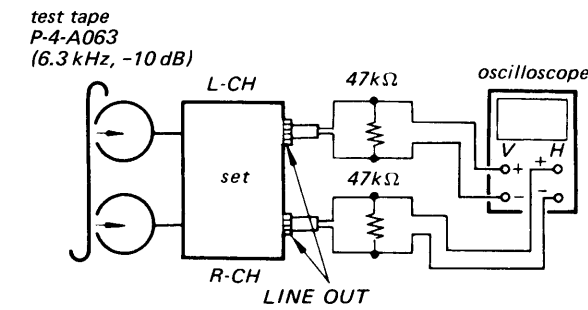


Record/playback Head Azimuth Adjustment

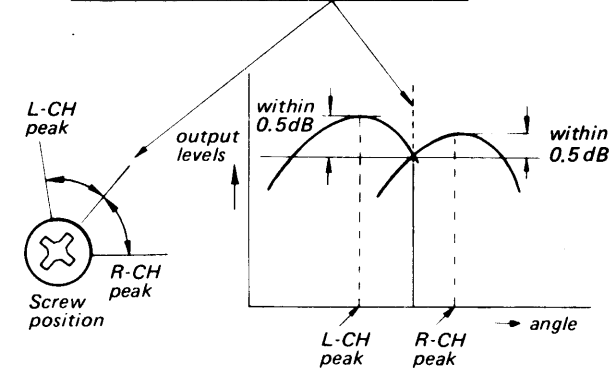
Setting:
RV101, 201 (playback level): mechanical mid

Procedure:

1. Mode: playback

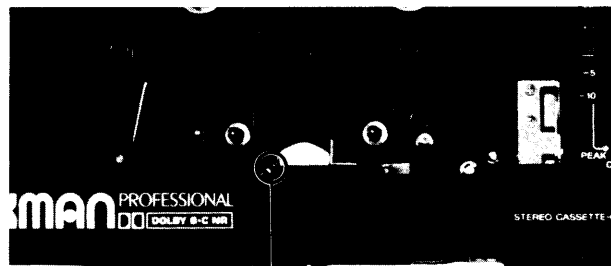


2. Turn the adjustment screw for the maximum output levels. If these levels do not match, turn the adjustment screw until both of output levels match together within 0.5 dB.



3. After adjustment, apply locking compound to the adjusted screw.

Adjustment Location:



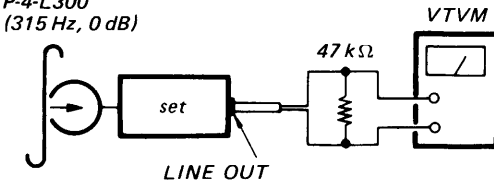
adjustment screw

Playback Level Adjustment

Procedure:

Mode: playback

test tape
P-4-L300
(315 Hz, 0 dB)



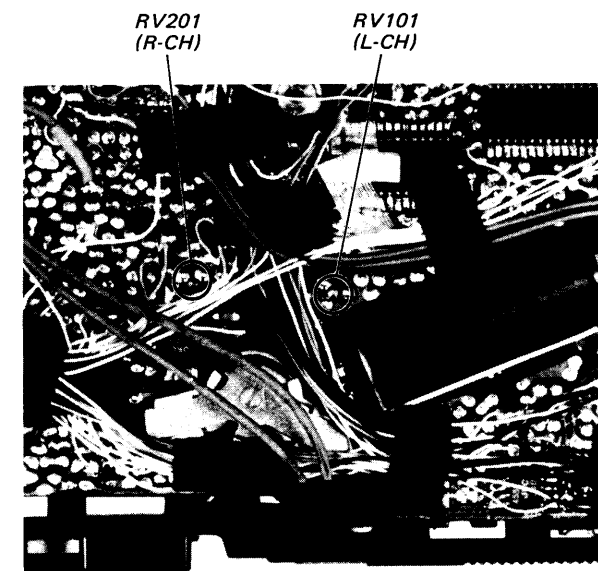
Specification:

LINE OUT level: 0.25 – 0.26 V
(-10 to -9.6 dB)

Check that the LINE OUT level does not change in playback mode while changing the mode from playback to stop several times.

Adjustment Location:

- main board -



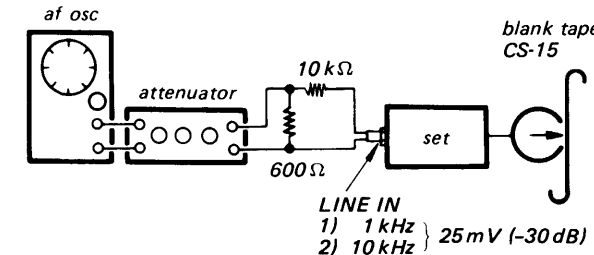
Record Bias Adjustment

Setting:

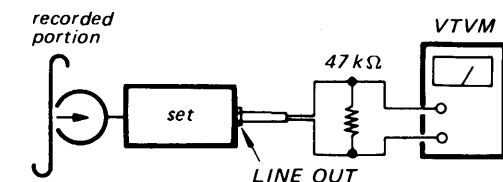
REC LEVEL control: standard record
LINE IN : -10 dB
LINE OUT : -9.8 dB

Procedure:

1. Mode: record



2. Mode: playback



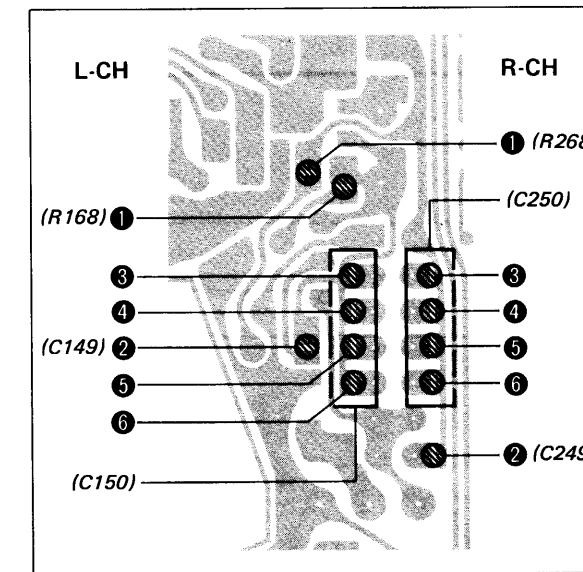
Confirm that the LINE OUT level of 10 kHz signal is 0 ± 0.5 dB relative to that of 1 kHz.

3. If it is not within 0 ± 0.5 dB, change the pattern connection and repeat the steps 1 and 2.

Note: When the conductive patterns ② - ⑥ are connected, and VTVM does not read 0 ± 0.5 dB, disconnect the pattern ①. Repeat the steps 1 - 3.

Adjustment Location:

- main board -



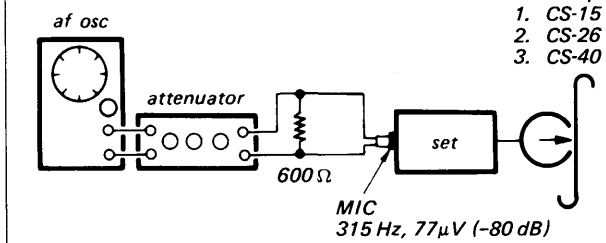
Record Level Adjustment

Setting:

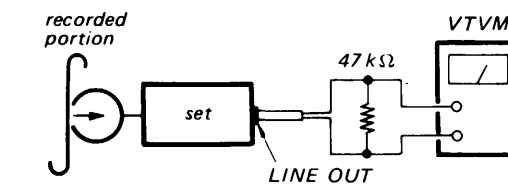
TAPE switch: changes over according as tape type

Procedure:

1. Mode: record



2. Mode: playback



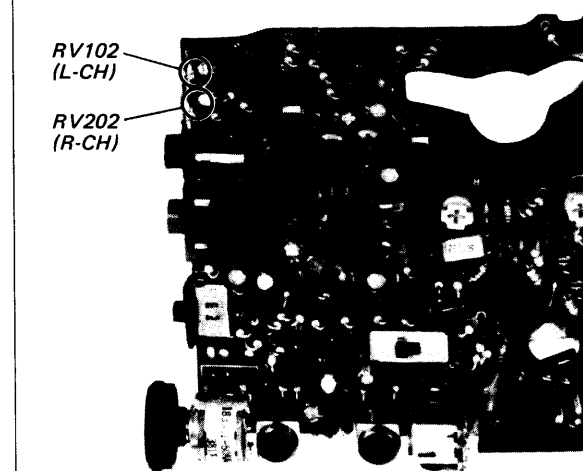
Insert a NORM tape (CS-15) and put into playback mode, adjust RV102 (L-CH) and RV202 (R-CH) to obtain the specified output level. Next, insert a CrO₂ tape (CS-26), METAL tape (CS-40) and put into playback mode, confirm that the output level is specified value.

Specification:

Tape	TAPE switch	Standard Output Level
CS-15	NORM	24 – 26.5 mV (-30.3 to -29.3 dB)
CS-26	CrO ₂	21 – 30 mV
CS-40	METAL	(-31.3 to -28.3 dB)

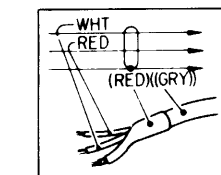
Adjustment Location:

- main board -



Note: FOR MOUNTING DIAGRAM

- Color code of sleeving over the end of the jacket.



- : parts extracted from the component side.
- : parts extracted from the conductor side.
- : part mounted on the conductor side.
- : B+ pattern
- : signal path
- : L-CH signal path
- : R-CH signal path

Note: FOR SCHEMATIC DIAGRAM

- Components for right channel have same values as for left channel. Reference numbers are coded from 201.
- All capacitors are in μF unless otherwise noted. pF: μμF 50VV or less are not indicated except for electrolytics and tantalums.
- All resistors are in ohms, 1/6 W unless otherwise noted. kΩ : 1000 Ω, MΩ : 1000 kΩ
- : signal path
- : adjustment for repair.
- : B+ bus.
- Voltages are dc with respect to ground unless otherwise noted.
- Readings are taken under no-signal conditions.
- no mark: playback I: NORM } TAPE switch
- () : record II: CrO₂
- [] : rewind IV: METAL
- < > : fast forward
- (| |) : pause
- Voltage variations may be noted due to normal production tolerances.
- AC voltage readings with a VTVM.
- Total current is measured with no cassette installed.

Note: Voltages are measured with a VOM (50kΩ/V).

SEE ADDITIONAL
INFORMATION

SEE ADDITIONAL
INFORMATION

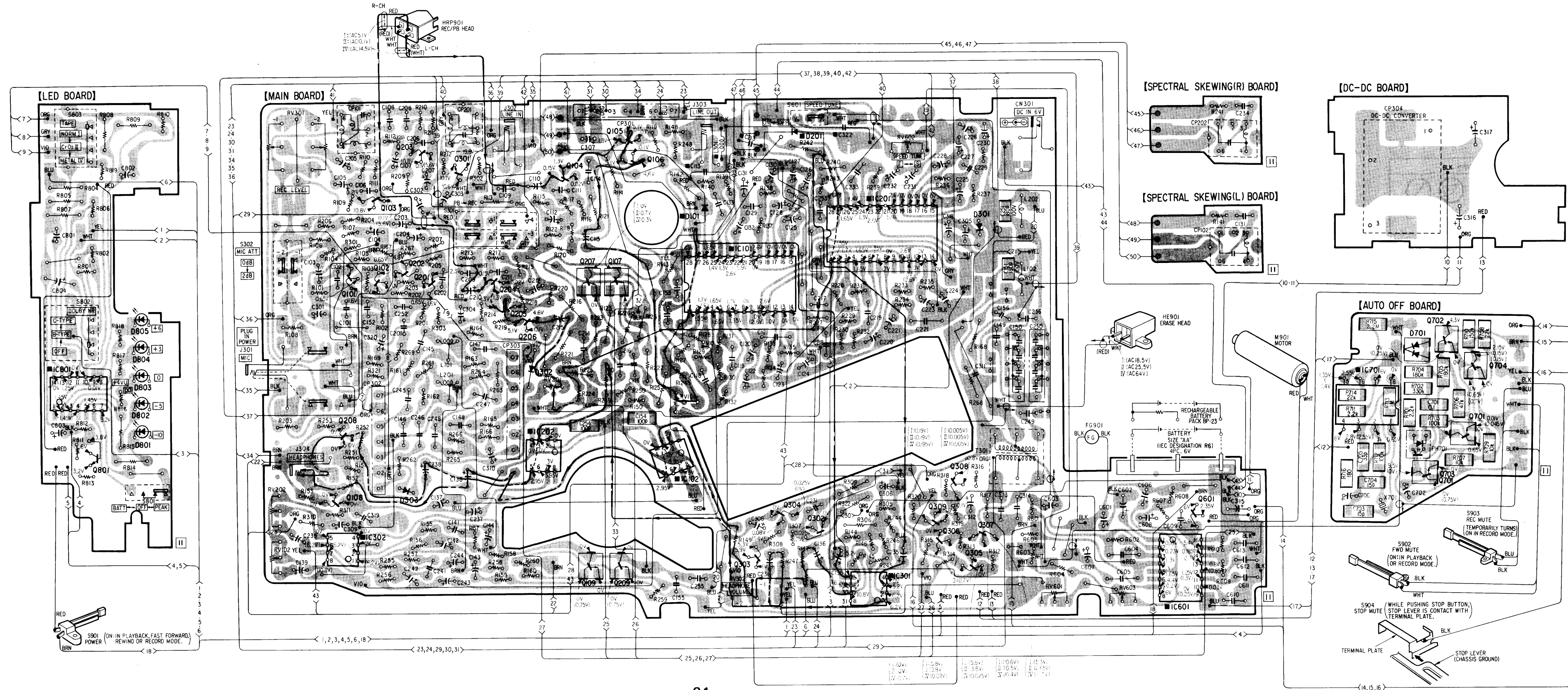
SEE ADDITIONAL
INFORMATION

4-1. MOUNTING DIAGRAM

• Refer to page 26 for semiconductor lead layouts. • Refer to page 19 for notes.

— Conductor Side —

Q		108	208	103	102	203	301	204	205	206	IC202	104	207	107	105				601		702	704	Q
IC	IC801	801	IC302		202	201							109	209	106	IC102			IC601		703	701	IC
D		805	804	803	802	801				303		302				101		201			701		D



SEE ADDITIONAL INFORMATION

WM-D6C/TC-D6C

WM-D6C/TC-D6C

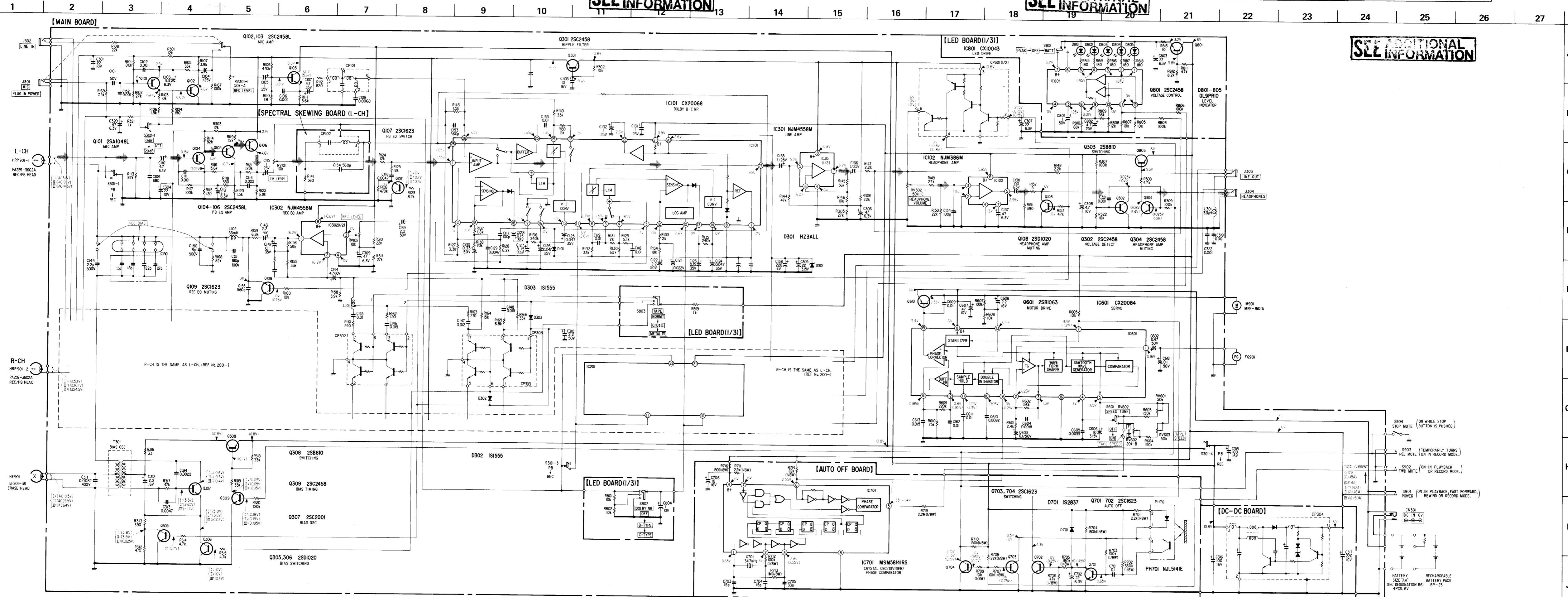
SEE ADDITIONAL INFORMATION

SEE ADDITIONAL INFORMATION

WM-D6C/TC-D6C

WM-D6C/TC-D6C

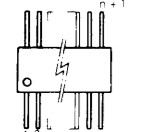
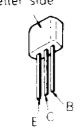
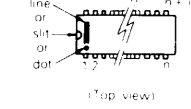
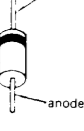
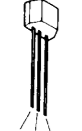
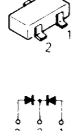

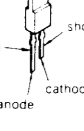
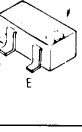
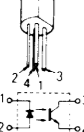
SEE ADDITIONAL INFORMATION

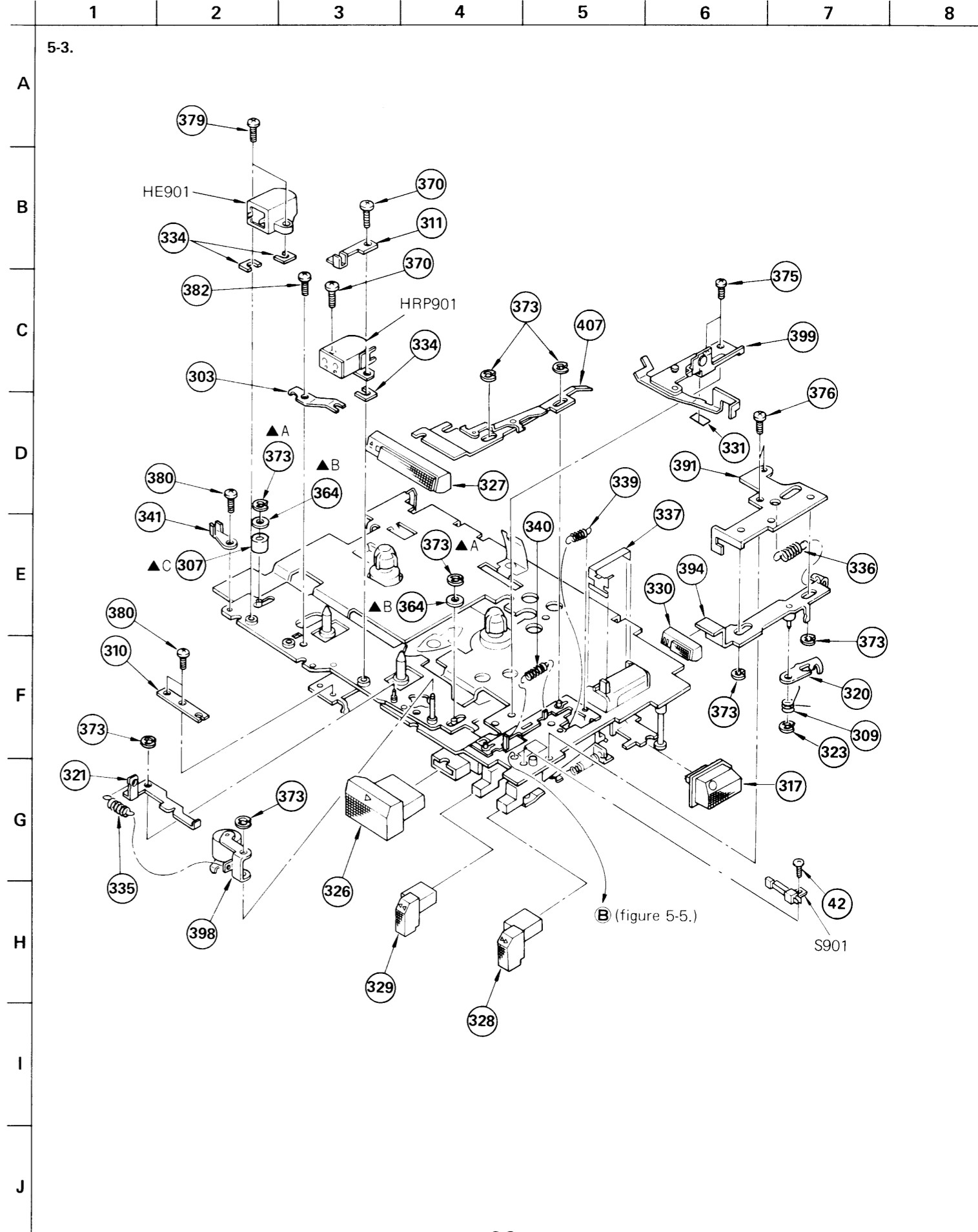
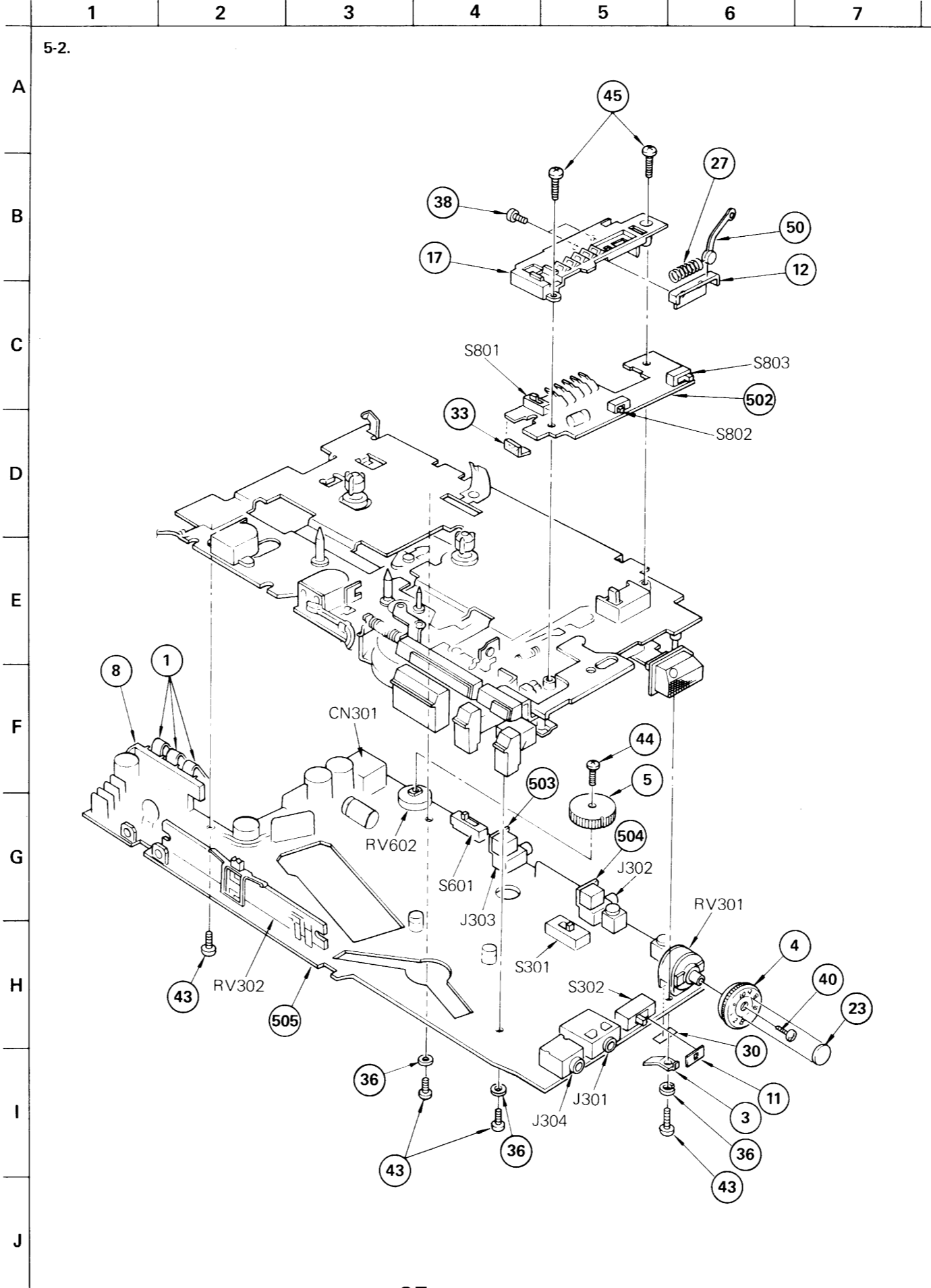
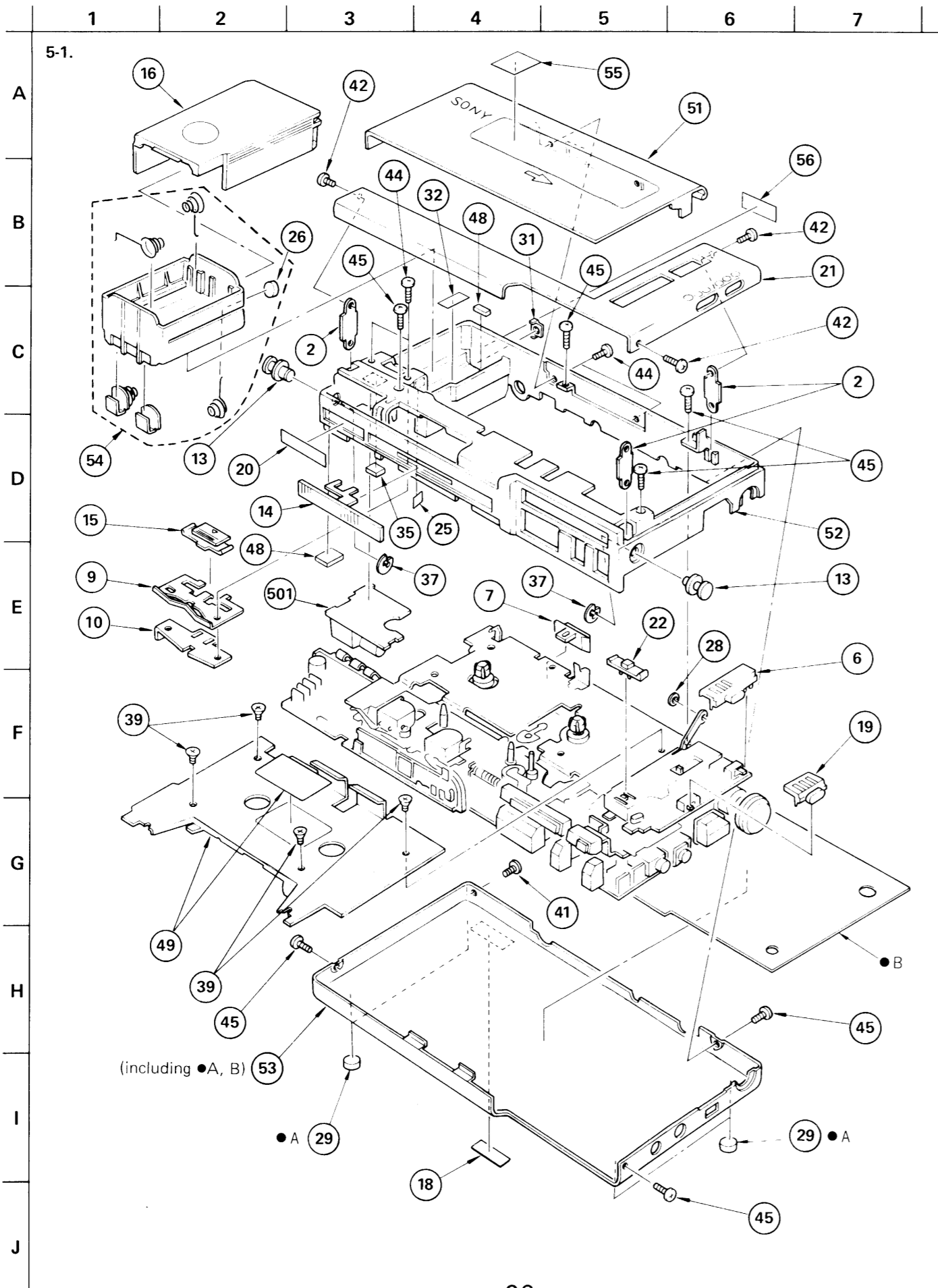


BATTERY SIZE 7AA (REC DESIGNATION R6) 4PCS. 6V RECHARGEABLE BATTERY PACK 8P-23

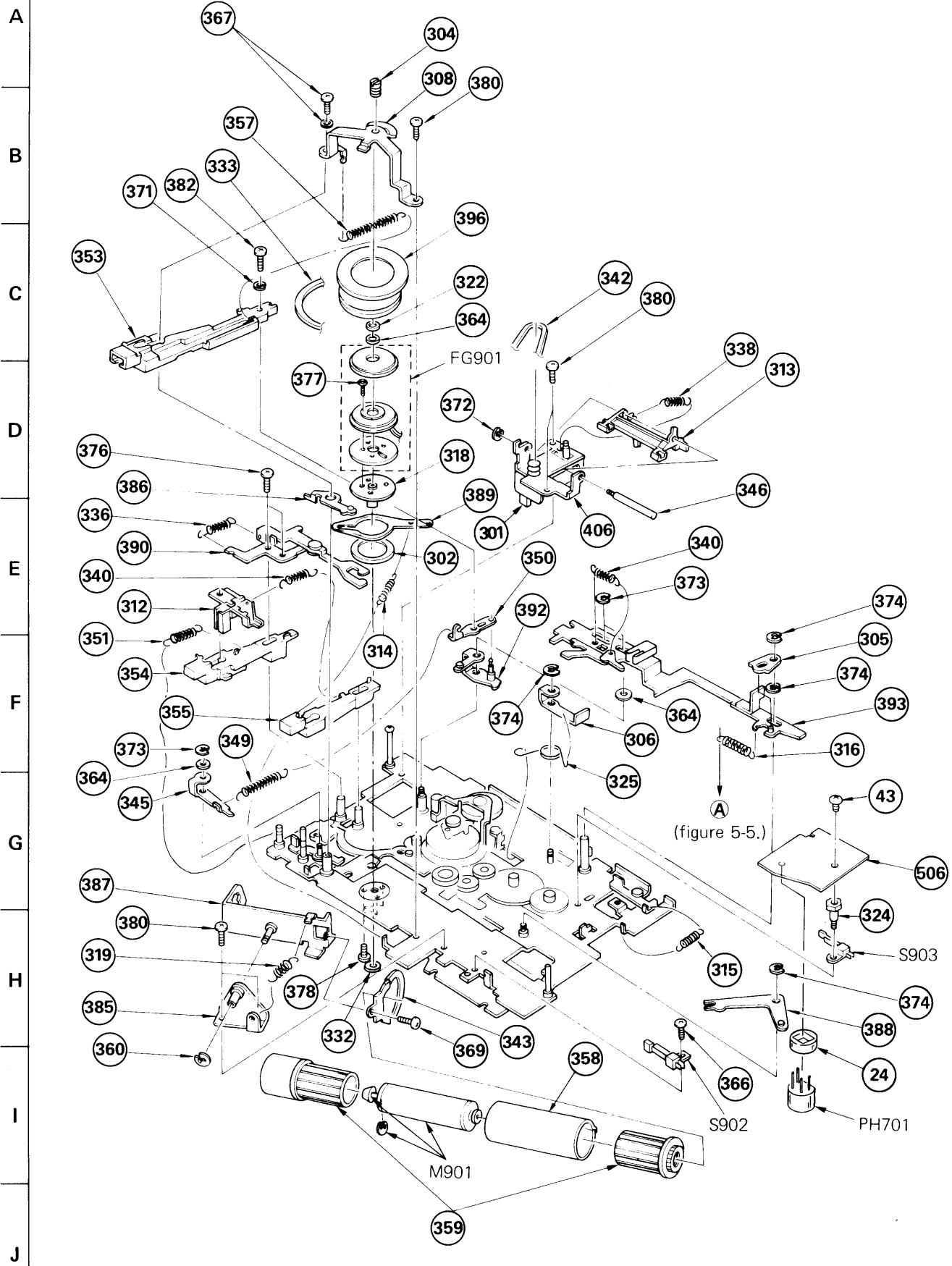
SEE INFORMATION

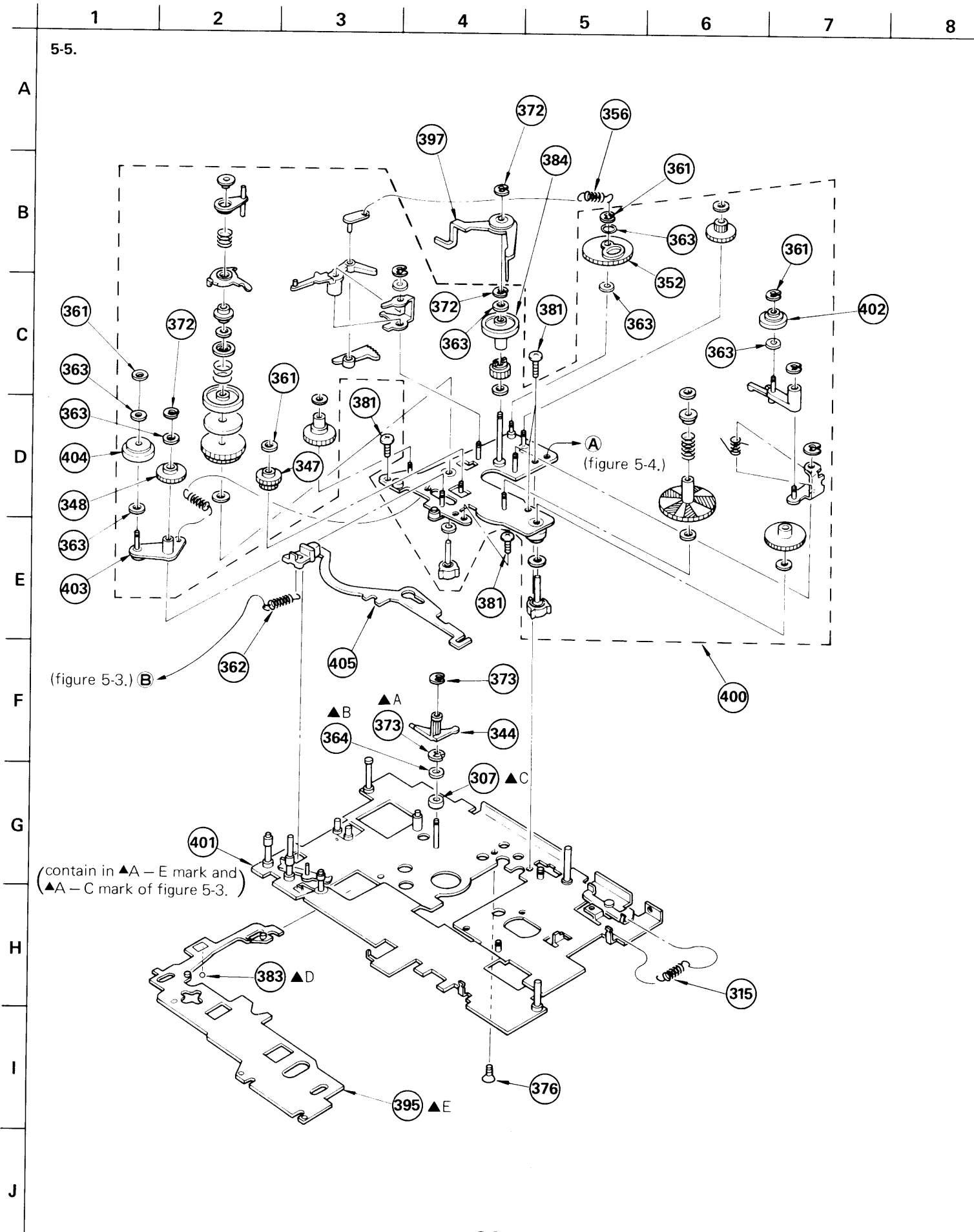
Semiconductor Lead Layouts

CX10043 CX20068 CX20084 NJM386M NJM4558M 	2SD1020 letter side 
MSM58141RS 	1S1555 HZ3ALL cathode 
2SA1048-GR 2SB808 2SC2458 2SC2458L-BL 	1S2837 
2SB1013 2SC2001 	GL9PR10 long short anode cathode 
2SC1623 	NJL5141E 



5-4.





GENERAL INFORMATION

WM-D6C/TC-D6C WM-D6C/TC-D6C

GENERAL SECTION		
No.	Part No.	Description
1	3-305-801-00	SPRING
2	3-305-802-00	PLATE, NUT
3	3-305-804-00	SPRING
4	3-305-867-00	KNOB (A), CONTROL, REC
5	3-305-868-00	KNOB, SPEED CONTROL
6	3-305-871-11	KNOB, TAPE SELECTOR
7	3-305-872-00	KNOB, SWITCH, SPEED CONTROL
8	3-305-873-00	TERMINAL BOARD, BATTERY
9	3-305-874-00	SPRING
10	♣;3-305-875-00	CHASSIS, CLAW, LOCK
11	3-305-887-00	COVER, SWITCH
12	♣;3-305-888-00	RETAINER
13	3-305-889-00	SHAFT, BELT, CARRYING
14	3-305-891-00	KNOB, CONTROL, SLIDE
15	3-305-892-00	CLAW, LOCK
16	3-305-896-00	CASE, BATTERY
17	3-305-897-00	HOLDER, LED
18	3-305-947-00	LABEL, DOLBY
19	3-305-961-01	KNOB, DOLBY
20	3-305-962-01	LABEL, FRONT
21	3-305-963-01	(WM-D6C)...PANEL, UPPER
21	3-305-969-01	(TC-D6C)...PANEL, UPPER
22	3-305-966-01	KNOB, METER
23	3-305-967-01	PLATE, ORNAMENTAL
24	♣;3-308-430-00	RETAINER, REFLECTOR, PHOTO
25	9-910-840-XX	CUSHION, RELEASE (t=3)
26	3-527-126-00	MARK, BATTERY CASE
27	3-557-575-00	SPRING, COMPRESSION
28	3-570-615-00	POLY-WASHER (DIA.1.2)
29	3-570-903-00	LEG
30	♣;3-572-862-00	SPACER
31	3-574-744-00	PLATE (B), NUT
32	3-701-999-00	LABEL, SERIAL NUMBER
33	3-831-441-XX	SPACER (t=0.5)
34	3-831-441-XX	CUSHION (t=0.5)
35	3-884-171-00	STOPPER
36	7-623-203-11	SW 1.4, TYPE 1
37	7-624-106-04	STOP RING 3.0, TYPE -E
38	7-627-451-38	SCREW, PRECISION +K 1.4X2
39	7-627-551-08	SCREW, PRECISION +P 1.4X1.6
40	7-627-552-37	SCREW, PRECISION +P 1.7X3
41	7-627-850-08	SCREW, PRECISION +P 1.4X2
42	7-627-850-18	SCREW, PRECISION +P 1.4X2.5
43	7-627-850-27	SCREW, PRECISION +P 1.4X3
44	7-627-850-28	SCREW, PRECISION +P 1.4X3
45	7-627-850-58	SCREW, PRECISION +P 1.4X3.5

GENERAL SECTION		
No.	Part No.	Description
46	9-911-837-XX	SPACER (t=1)
47	9-911-841-XX	CUSHION (B)(t=5)
48	9-911-845-XX	CUSHION (A)(t=5)
49	A-3043-068-A	PANEL SUB ASSY, REEL
50	X-3305-801-0	ARM ASSY
51	X-3305-818-0	LID ASSY, CASSETTE
52	X-3305-834-1	CABINET ASSY
53	X-3305-835-1	PANEL ASSY, LOWER
54	X-3564-820-0	HOLDER ASSY, BATTERY
55	3-703-707-01	STICKER, SONY SYMBOL (21)
56	3-305-968-01	(TC-D6C)...LABEL, MODEL NUMBER
ACCESSORY & PACKING MATERIAL		
	Part No.	Description
	A.1-463-138-00	(TC-D6C)...ADAPTOR, AC (AC-9W)
	1-555-658-00	CORD, CONNECTION (RK-129)
	3-305-935-00	(WM-D6C)...SPACER
	3-305-972-00	(TC-D6C)...SPACER
	3-305-973-00	(TC-D6C)...INDIVIDUAL CARTON
	3-305-981-00	(WM-D6C)...INDIVIDUAL CARTON
	3-305-975-00	(TC-D6C)...CUSHION
	3-305-938-00	(WM-D6C)...CUSHION
	3-305-980-00	(WM-D6C)...COVER, ACCESSORY
	3-305-940-00	BAND, SHOULDER
	3-305-970-00	CASE, CARRYING
	3-570-631-71	BAG, POLYETHYLENE, FOR SET
	3-701-618-00	BAG, POLYETHYLENE, FOR CONNECTION CORD
	3-701-625-00	BAG, POLYETHYLENE, FOR INSTRUCTION MANUAL
	3-773-736-11	(AEP)...MANUAL, INSTRUCTION
	3-773-736-21	(US)...MANUAL, INSTRUCTION
	3-773-736-31	(Canadian,AEP,UK,E)...MANUAL, INSTRUCTION
	3-773-766-21	(TC-D6C)...MANUAL, INSTRUCTION
	3-795-748-21	(US)...SAFETY INSTRUCTIONS, HEADPHONE
	8-810-036-90	(TC-D6C)...ECM-939LT SET
	8-951-173-90	(WM-D6C)...MDR-40L SET

MECHANISM SECTION		
No.	Part No.	Description
301	1-548-516-41	TIMER, TAPE
302	♣;3-305-807-00	RING, MOTOR LEVER
303	3-305-808-00	SPRING
304	3-305-810-00	SCREW, THRUST ADJUSTMENT
305	3-305-812-00	LEVER (C), REC
306	♣;3-305-815-00	LEVER (A), MUTING
307	3-305-839-00	ROLLER (SMALL)
308	3-305-846-00	RETAINER, THRUST
309	3-305-856-00	SPRING
310	♣;3-305-857-00	RETAINER, FG LEAD WIRE
311	3-305-858-00	CLAMP, LEAD WIRE
312	3-305-863-00	HOLDER, LEAD WIRE
313	3-305-865-00	PLATE, LOCK
314	3-305-901-00	SPRING, TENSION
315	3-305-902-00	SPRING, TENSION
316	3-305-903-00	SPRING, TENSION
317	3-305-908-00	BUTTON, REC
318	3-305-910-00	BEARING (A), CAPSTAN
319	3-305-914-00	SPRING, TENSION
320	3-305-915-00	PLATE, LOCK, PAUSE
321	3-305-917-00	PLATE (B), RELEASE, PINCH
322	3-305-925-00	WASHER
323	3-305-926-00	POLY-WASHER, 1.7DIA
324	3-305-952-01	SCREW, SWITCH
325	3-305-953-01	SPRING
326	3-305-956-01	BUTTON, FWD
327	3-305-957-01	BUTTON, STOP
328	3-305-958-01	BUTTON, FF
329	3-305-959-01	BUTTON, REW
330	3-305-960-01	BUTTON, PAUSE
331	♣;3-309-729-00	SHEET, LEAF SWITCH
332	3-314-576-00	WASHER
333	3-480-136-00	BELT (B)
334	3-513-237-01	PLATE
335	3-527-189-00	SPRING, TENSION
336	3-527-190-00	SPRING, TENSION
337	♣;3-305-971-01	TERMINAL PLATE
338	3-547-666-00	SPRING, TENSION
339	3-547-667-00	SPRING, TENSION
340	3-547-669-00	SPRING, TENSION
341	♣;3-547-686-00	CLAMP (B), WIRE
342	3-554-103-00	BELT, DRIVING
343	♣;3-556-269-00	BRACKET (B), M
344	3-557-402-00	LEVER (C), RELEASE
345	3-557-405-00	LEVER, SPRING HOOK

MECHANISM SECTION		
No.	Part No.	Description
346	3-557-408-00	SHAFT, LOCK PLATE
347	3-557-439-00	GEAR (A), F.R
348	3-557-440-00	GEAR (B), F.R
349	3-557-495-00	SPRING, TENSION
350	3-557-497-00	ARM, JOINT
351	3-557-498-00	SPRING, TENSION
352	3-557-509-00	GEAR (3)
353	3-557-514-00	LEVER, FWD
354	3-557-515-00	LEVER, FF
355	3-557-516-00	LEVER, REWIND
356	3-557-579-00	SPRING, TENSION
357	3-557-581-00	SPRING, TENSION
358	♣;3-557-805-00	CASE, SHIELD, M
359	♣;3-557-813-00	RUBBER, VIBRATION PROOF
360	3-558-708-21	WASHER, STOPPER
361	3-559-408-00	POLY-WASHER, 1.2 DIA
362	3-570-894-00	SPRING, TENSION
363	3-701-436-01	WASHER, 1.6 (t=0.13)
364	3-701-437-01	WASHER, 2 (t=0.13)
365	
366	3-703-502-22	SCREW
367	3-703-502-32	SCREW
368	3-831-441-XX	SPACER (t=0.5)
369	7-621-255-15	SCREW +P 2X3
370	7-621-255-25	SCREW +P 2X4
371	7-623-203-11	SW 1.4, TYPE 1
372	7-624-101-01	RING, RETAINING E-1.2
373	7-624-102-04	STOP RING 1.5, TYPE -E
374	7-624-104-04	STOP RING 2.0, TYPE -E
375	7-627-451-08	SCREW, PRECISION +K 1.4X1.6
376	7-627-451-27	SCREW, PRECISION +K 1.4X3
377	7-627-551-57	SCREW, PRECISION +P 1.4X3
378	7-627-551-78	SCREW, PRECISION +P 1.4X4
379	7-627-553-57	SCREW, PRECISION +P 2X4.5
380	7-627-850-07	SCREW, PRECISION +P 1.4X2
381	7-627-850-47	SCREW, PRECISION +P 1.4X1.6
382	7-627-851-27	SCREW, PRECISION +P 1.4X5
383	7-671-111-01	STEEL BALL IMM
384	X-3305-804-0	PULLEY ASSY, MIDWAY
385	♣;X-3305-806-0	BRACKET ASSY, MOTOR SHAFT
386	X-3305-807-0	LEVER (A) ASSY, MOTOR
387	♣;X-3305-808-0	BRACKET ASSY, MOTOR
388	X-3305-809-0	LEVER (C) ASSY, MOTOR
389	X-3305-810-0	LEVER (B) ASSY, MOTOR
390	X-3305-811-0	CHASSIS ASSY, SO

NOTE:

- The mechanical parts with no reference number in the exploded views are not supplied.
- Items marked "♣" are not stocked since they are seldom required for routine service. Some delay should be anticipated when ordering these items.
- Due to standardization, parts with part numbers (A-AAA-XXX-XX or A-AAA-AAA-X) may be different from those used in the set.
- If there are two or more same circuits in a set such as a stereophonic machine, only typical circuit parts may be indicated and capacitors and resistors in other same circuits may be omitted.

CAPACITORS:

- All capacitors are in .F. Common capacitors are omitted. Refer to the following lists for their part numbers. MF:μF, PF:μμF.

COILS

- MMH : mH, UH : μH

SEMICONDUCTORS

In each case, U : μ, for example:
 UA.... : μA...., UPA.... : μPA...., UPC.... : μPC, UPD.... : μPD....

The components identified by shading and mark **A** are critical for safety. Replace only with part number specified.

Les composants identifiés par une trame et une marque **A** sont critiques pour la sécurité. Ne les remplacer que par une pièce portant le numéro spécifié.

NOTE:

- The mechanical parts with no reference number in the exploded views are not supplied.
- Items marked "♣" are not stocked since they are seldom required for routine service. Some delay should be anticipated when ordering these items.
- Due to standardization, parts with part numbers (A-AAA-XXX-XX or A-AAA-AAA-X) may be different from those used in the set.
- If there are two or more same circuits in a set such as a stereophonic machine, only typical circuit parts may be indicated and capacitors and resistors in other same circuits may be omitted.

CAPACITORS:

- All capacitors are in .F. Common capacitors are omitted. Refer to the following lists for their part numbers. MF:μF, PF:μμF.

COILS

- MMH : mH, UH : μH

SEMICONDUCTORS

In each case, U : μ, for example:
 UA.... : μA...., UPA.... : μPA...., UPC.... : μPC, UPD.... : μPD....

SEE ADDITIONAL INFORMATION

WM-D6C/TC-D6C

WM-D6C/TC-D6C

SEE ADDITIONAL INFORMATION

MECHANISM SECTION

Table with 3 columns: No., Part No., Description. Lists mechanical parts 391-407 including chassis, lever, and table assemblies.

ELECTRICAL PARTS

Table with 7 columns: Ref.No., Part No., Description, Value, Tolerance, Voltage. Lists electrical components 119-308 including capacitors, resistors, and diodes.

ELECTRICAL PARTS

Table with 11 columns: Ref.No., Part No., Description, Value, Tolerance, Voltage, Power, etc. Lists electrical components 309-704 including capacitors, resistors, and diodes.

ELECTRICAL PARTS

Table with 11 columns: Ref.No., Part No., Description, Value, Tolerance, Voltage, Power, etc. Lists electrical components 801-909 including diodes, ICs, and transistors.

ELECTRICAL PARTS

Table with 7 columns: Ref.No., Part No., Description, Value, Tolerance, Voltage. Lists electrical components 501-506 and C101-C118 including PCBs and various components.

NOTE:

- The mechanical parts with no reference number in the exploded views are not supplied.
Items marked with a diamond symbol are not stocked since they are seldom required for routine service.
Due to standardization, parts with part numbers (A-1111-1111-XX or A-11111-1111-X) may be different from those used in the set.
If there are two or more same circuits in a set such as a stereophonic machine, only typical circuit parts may be indicated and capacitors and resistors in other same circuits may be omitted.

CAPACITORS:

All capacitors are in μF. Common capacitors are omitted. Refer to the following lists for their part numbers. MF:μF, PF:μPF.

COILS

MMH : mH, UH : μH

SEMICONDUCTORS

In each case, U : μ, for example: UA... : μA..., UPA... : μPA..., UPC... : μPC, UPD... : μPD...

NOTE:

- The mechanical parts with no reference number in the exploded views are not supplied.
Items marked with a diamond symbol are not stocked since they are seldom required for routine service.
Due to standardization, parts with part numbers (A-1111-1111-XX or A-11111-1111-X) may be different from those used in the set.
If there are two or more same circuits in a set such as a stereophonic machine, only typical circuit parts may be indicated and capacitors and resistors in other same circuits may be omitted.

CAPACITORS:

All capacitors are in μF. Common capacitors are omitted. Refer to the following lists for their part numbers. MF:μF, PF:μPF.

COILS

MMH : mH, UH : μH

SEMICONDUCTORS

In each case, U : μ, for example: UA... : μA..., UPA... : μPA..., UPC... : μPC, UPD... : μPD...

SEE INFORMATION

ELECTRICAL PARTS

Ref.No.	Part No.	Description
Q201	8-729-204-83	TRANSISTOR 2SA1048-GR
Q202	8-729-205-84	TRANSISTOR 2SC2458L-BL
Q203	8-729-205-84	TRANSISTOR 2SC2458L-BL
Q204	8-729-205-84	TRANSISTOR 2SC2458L-BL
Q205	8-729-205-84	TRANSISTOR 2SC2458L-BL
Q206	8-729-205-84	TRANSISTOR 2SC2458L-BL
Q207	8-729-100-66	TRANSISTOR 2SC1623
Q208	8-729-102-03	TRANSISTOR 2SD1020
Q209	8-729-100-66	TRANSISTOR 2SC1623
Q301	8-729-245-83	TRANSISTOR 2SC2458
Q302	8-729-245-83	TRANSISTOR 2SC2458
Q303	8-729-800-83	TRANSISTOR 2SB808
Q304	8-729-245-83	TRANSISTOR 2SC2458
Q305	8-729-102-03	TRANSISTOR 2SD1020
Q306	8-729-102-03	TRANSISTOR 2SD1020
Q307	8-729-100-13	TRANSISTOR 2SC2001
Q308	8-729-800-83	TRANSISTOR 2SB808
Q309	8-729-245-83	TRANSISTOR 2SC2458
Q601	8-729-801-83	TRANSISTOR 2SB1013
Q701	8-729-100-66	TRANSISTOR 2SC1623
Q702	8-729-100-66	TRANSISTOR 2SC1623
Q703	8-729-100-66	TRANSISTOR 2SC1623
Q704	8-729-100-66	TRANSISTOR 2SC1623
Q801	8-729-245-83	TRANSISTOR 2SC2458
R101	1-247-879-00	CARBON 100K 5% 1/6W
R102	1-247-865-00	CARBON 27K 5% 1/6W
R103	1-247-855-00	CARBON 10K 5% 1/6W
R104	1-247-811-00	CARBON 150 5% 1/6W
R105	1-247-867-00	CARBON 33K 5% 1/6W
R106	1-247-835-00	CARBON 1.5K 5% 1/6W
R107	1-247-845-00	CARBON 3.9K 5% 1/6W
R108	1-247-863-00	CARBON 22K 5% 1/6W
R109	1-247-895-00	CARBON 470K 5% 1/6W
R110	1-247-903-00	CARBON 1M 5% 1/6W
R111	1-247-849-00	CARBON 5.6K 5% 1/6W
R112	1-247-829-00	CARBON 820 5% 1/6W
R113	1-247-877-00	CARBON 82K 5% 1/6W
R114	1-247-877-00	CARBON 82K 5% 1/6W
R115	1-247-809-00	CARBON 120 5% 1/6W
R116	1-247-849-00	CARBON 5.6K 5% 1/6W
R117	1-247-879-00	CARBON 100K 5% 1/6W
R118	1-247-819-00	CARBON 330 5% 1/6W
R119	1-247-857-00	CARBON 12K 5% 1/6W
R120	1-247-835-00	CARBON 1.5K 5% 1/6W
R121	1-247-881-00	CARBON 120K 5% 1/6W

ELECTRICAL PARTS

Ref.No.	Part No.	Description
R122	1-247-851-00	CARBON 6.8K 5% 1/6W
R123	1-247-853-00	CARBON 8.2K 5% 1/6W
R124	1-247-857-00	CARBON 12K 5% 1/6W
R125	1-247-861-00	CARBON 18K 5% 1/6W
R126	1-247-895-00	CARBON 470K 5% 1/6W
R127	1-247-843-00	CARBON 3.3K 5% 1/6W
R128	1-247-850-00	CARBON 6.2K 5% 1/6W
R129	1-247-848-00	CARBON 5.1K 5% 1/6W
R130	1-247-874-00	CARBON 62K 5% 1/6W
R131	1-247-838-00	CARBON 2K 5% 1/6W
R132	1-247-867-00	CARBON 33K 5% 1/6W
R133	1-247-838-00	CARBON 2K 5% 1/6W
R134	1-247-861-00	CARBON 18K 5% 1/6W
R135	1-247-888-00	CARBON 240K 5% 1/6W
R136	1-247-888-00	CARBON 240K 5% 1/6W
R137	1-247-837-00	CARBON 1.8K 5% 1/6W
R138	1-247-862-00	CARBON 20K 5% 1/6W
R139	1-247-859-00	CARBON 15K 5% 1/6W
R140	1-247-867-00	CARBON 33K 5% 1/6W
R141	1-247-825-00	CARBON 560 5% 1/6W
R142	1-247-838-00	CARBON 2K 5% 1/6W
R143	1-247-835-00	CARBON 1.5K 5% 1/6W
R144	1-247-871-00	CARBON 47K 5% 1/6W
R145	1-247-873-00	CARBON 56K 5% 1/6W
R146	1-247-855-00	CARBON 10K 5% 1/6W
R147	1-247-839-00	CARBON 2.2K 5% 1/6W
R148	1-247-839-00	CARBON 2.2K 5% 1/6W
R149	1-247-865-00	CARBON 27K 5% 1/6W
R150	1-247-863-00	CARBON 22K 5% 1/6W
R151	1-247-821-00	CARBON 390 5% 1/6W
R152	1-247-787-00	CARBON 15 5% 1/6W
R153	1-247-847-00	CARBON 4.7K 5% 1/6W
R155	1-247-867-00	CARBON 33K 5% 1/6W
R156	1-247-873-00	CARBON 56K 5% 1/6W
R157	1-247-879-00	CARBON 100K 5% 1/6W
R158	1-247-845-00	CARBON 3.9K 5% 1/6W
R159	1-247-851-00	CARBON 6.8K 5% 1/6W
R160	1-247-855-00	CARBON 10K 5% 1/6W
R161	1-247-816-00	CARBON 240 5% 1/6W
R162	1-247-811-00	CARBON 150 5% 1/6W
R163	1-247-817-00	CARBON 270 5% 1/6W
R164	1-247-859-00	CARBON 15K 5% 1/6W
R165	1-247-851-00	CARBON 6.8K 5% 1/6W
R166	1-247-867-00	CARBON 33K 5% 1/6W
R167	1-247-879-00	CARBON 100K 5% 1/6W

NOTE:

- The mechanical parts with no reference number in the exploded views are not supplied.
- Items marked "●" are not stocked since they are seldom required for routine service. Some delay should be anticipated when ordering these items.
- Due to standardization, parts with part numbers (C-XXX-XXX-XX or C-XXX-XXX-X) may be different from those used in the set.
- If there are two or more same circuits in a set such as a stereophonic machine, only typical circuit parts may be indicated and capacitors and resistors in other same circuits may be omitted.

CAPACITORS:

- All capacitors are in μF . Common capacitors are omitted. Refer to the following lists for their part numbers.
MF: μF , PF: μuF .

COILS

- MMH : mH, UH : μH

SEMICONDUCTORS

- In each case, U : μ , for example:
UA... : μA ..., UPA... : μPA ..., UPC... : μPC ,
UPD... : μPD ...



ELECTRICAL PARTS

Ref.No.	Part No.	Description			
R168	1-247-877-00	CARBON	82K	5%	1/6W
R169	1-247-852-00	CARBON	7.5K	5%	1/6W
R301	1-247-857-00	CARBON	12K	5%	1/6W
R302	1-247-855-00	CARBON	10K	5%	1/6W
R303	1-247-857-00	CARBON	12K	5%	1/6W
R305	1-247-865-00	CARBON	27K	5%	1/6W
R306	1-247-863-00	CARBON	22K	5%	1/6W
R307	1-247-879-00	CARBON	100K	5%	1/6W
R308	1-247-847-00	CARBON	4.7K	5%	1/6W
R309	1-247-879-00	CARBON	100K	5%	1/6W
R310	1-247-863-00	CARBON	22K	5%	1/6W
R311	1-247-865-00	CARBON	27K	5%	1/6W
R312	1-247-823-00	CARBON	470	5%	1/6W
R313	1-247-821-00	CARBON	390	5%	1/6W
R314	1-247-847-00	CARBON	4.7K	5%	1/6W
R315	1-247-847-00	CARBON	4.7K	5%	1/6W
R316	1-247-795-00	CARBON	33	5%	1/6W
R317	1-247-871-00	CARBON	47K	5%	1/6W
R318	1-247-867-00	CARBON	33K	5%	1/6W
R319	1-247-867-00	CARBON	33K	5%	1/6W
R320	1-247-881-00	CARBON	120K	5%	1/6W
R321	1-247-831-00	CARBON	1K	5%	1/6W
R322	1-247-855-00	CARBON	10K	5%	1/6W
R601	1-247-840-00	CARBON	2.4K	5%	1/6W
R602	1-247-873-00	CARBON	56K	5%	1/6W
R603	1-214-781-00	METAL	150K	1%	1/4W
R604	1-214-781-00	METAL	150K	1%	1/4W
R605	1-247-855-00	CARBON	10K	5%	1/6W
R607	1-247-879-00	CARBON	100K	5%	1/6W
R608	1-247-855-00	CARBON	10K	5%	1/6W
R609	1-247-887-00	CARBON	220K	5%	1/6W
R610	1-247-876-00	CARBON	75K	5%	1/6W
R701	1-216-206-00	METAL CHIP	2.2K	5%	1/8W
R702	1-216-258-00	METAL CHIP	330K	5%	1/8W
R703	1-216-246-00	METAL CHIP	100K	5%	1/8W
R704	1-216-252-00	METAL CHIP	180K	5%	1/8W
R705	1-216-252-00	METAL CHIP	180K	5%	1/8W
R706	1-216-238-00	METAL CHIP	47K	5%	1/8W
R707	1-216-222-00	METAL CHIP	10K	5%	1/8W
R708	1-216-230-00	METAL CHIP	22K	5%	1/8W
R709	1-216-222-00	METAL CHIP	10K	5%	1/8W
R710	1-216-250-00	METAL CHIP	150K	5%	1/8W
R711	1-216-206-00	METAL CHIP	2.2K	5%	1/8W
R712	1-216-246-00	METAL CHIP	100K	5%	1/8W
R713	1-216-270-00	METAL CHIP	1M	5%	1/8W

ELECTRICAL PARTS

Ref.No.	Part No.	Description			
R714	1-216-230-00	METAL CHIP	22K	5%	1/8W
R715	1-216-278-00	METAL CHIP	2.2M	5%	1/8W
R716	1-216-180-00	METAL CHIP	180	5%	1/8W
R801	1-247-855-00	CARBON	10K	5%	1/6W
R802	1-247-855-00	CARBON	10K	5%	1/6W
R804	1-247-879-00	CARBON	100K	5%	1/6W
R805	1-247-855-00	CARBON	10K	5%	1/6W
R806	1-247-879-00	CARBON	100K	5%	1/6W
R807	1-247-855-00	CARBON	10K	5%	1/6W
R808	1-247-857-00	CARBON	12K	5%	1/6W
R809	1-247-873-00	CARBON	56K	5%	1/6W
R810	1-247-875-00	CARBON	68K	5%	1/6W
R811	1-247-847-00	CARBON	4.7K	5%	1/6W
R812	1-247-853-00	CARBON	8.2K	5%	1/6W
R813	1-247-783-00	CARBON	10	5%	1/6W
R814	1-247-813-00	CARBON	180	5%	1/6W
R815	1-247-813-00	CARBON	180	5%	1/6W
R816	1-247-813-00	CARBON	180	5%	1/6W
R817	1-247-813-00	CARBON	180	5%	1/6W
R818	1-247-813-00	CARBON	180	5%	1/6W
R819	1-247-831-00	CARBON	1K	5%	1/6W
RV101	1-226-710-00	RES, ADJ, SOLID 10K			
RV102	1-230-035-00	RES, ADJ, CARBON 10K			
RV201	1-226-710-00	RES, ADJ, SOLID 10K			
RV202	1-230-035-00	RES, ADJ, CARBON 10K			
RV301	1-230-275-11	RES, VAR, CARBON 50K/50K			
RV302	1-228-545-00	RES, VAR, SLIDE 50K/50K			
RV601	1-230-351-11	RES, ADJ, METAL GLAZE 50K			
RV602	1-228-607-00	RES, VAR, CARBON 20K			
RV603	1-230-351-11	RES, ADJ, METAL GLAZE 50K			
S301	1-554-029-00	SWITCH, SLIDE (REC/PB SELECT)			
S302	1-554-222-00	SWITCH, SLIDE (MIC ATT)			
S601	1-554-142-00	SWITCH, SLIDE (SPEED TUNE)			
S801	1-554-746-11	SWITCH, SLIDE (PEAK/BATT SELECT)			
S802	1-552-642-00	SWITCH (DOLBY NR)			
S803	1-552-642-00	SWITCH (TAPE SELECT)			
S901	1-553-226-00	SWITCH, LEAF (POWER)			
S902	1-552-181-00	SWITCH, LEAF (FWD MUTE)			
S903	1-553-198-00	SWITCH, LEAF (REC MUTE)			
T301	1-433-244-00	TRANSFORMER, BIAS OSCILLATOR			
X701	1-527-957-00	OSCILLATOR, CRYSTAL			

NOTE:

- The mechanical parts with no reference number in the exploded views are not supplied.
- Items marked "●" are not stocked since they are seldom required for routine service. Some delay should be anticipated when ordering these items.
- Due to standardization, parts with part numbers (1-AAA-AAA-XX or 1-AAA-AAA-X) may be different from those used in the set.
- If there are two or more same circuits in a set such as a stereophonic machine, only typical circuit parts may be indicated and capacitors and resistors in other same circuits may be omitted.

CAPACITORS:

- All capacitors are in μ F. Common capacitors are omitted. Refer to the following lists for their part numbers.
MF: μ F, PF: μ PF.

COILS

- MMH : mH, UH : μ H

SEMICONDUCTORS

- In each case, U : μ , for example:
UA : μ A, UPA : μ PA, UPC : μ PC, UPD : μ PD

Sony Corporation

English
84B06154-1
Printed in Japan
© 1984